

## DST970X2



Display size  
**40"-70"**



Max load  
**250lb (113kg)**

# DUAL DISPLAY CEILING MOUNT

## FOR 40"-70" DISPLAYS

The DST970X2 Dual Display Ceiling Mount from Peerless-AV® is the ideal mount for a digital signage application where two displays are required. The heavy gauge steel construction has been designed to effortlessly support two displays from a single column. By doing this, installation time is reduced, costs are lowered, and overall aesthetics are increased. With independent swivel and tilt, each display can set to the optimal position to reach the target audience. The universal adaptors which accommodate mounting hole patterns up to 731 x 405mm is compatible with most displays in the 40"-70" range.

***DST970X2 provides independent swivel and tilt, allowing each display to be positioned at the perfect viewing angle.***



### Additional Features

- ✓ Included universal adaptor plate will accommodate most displays in the 40"-70" range
- ✓ Compatible with an extensive line of Peerless-AV® fixed length and adjustable extension columns
- ✓ Simple hook on display attachment makes set-up quick and easy

■ **INDEPENDENT TILT AND SWIVEL**  
Independently position each display for the perfect viewing angle

■ **UNIVERSAL MOUNTING**  
Universal display adaptors easily hook onto the wall plate for fast installation of displays ranging from 40"-70"



Continuous Tilt



## Model Numbers

**WARRANTY: Limited 5-year**

**DST970X2** Dual Display Ceiling Mount for 40"-70" Displays

## Product Specifications

	DIMENSIONS (W X H X D)	PRODUCT WEIGHT	LOAD CAPACITY	FINISH	AVAILABLE COLORS
<b>DST970X2</b>	74.75" x 18.61" x 4.76" (1899 x 473 x 121mm)	50lb (22.7kg)	250lb (113kg)	Powder Coat	Black

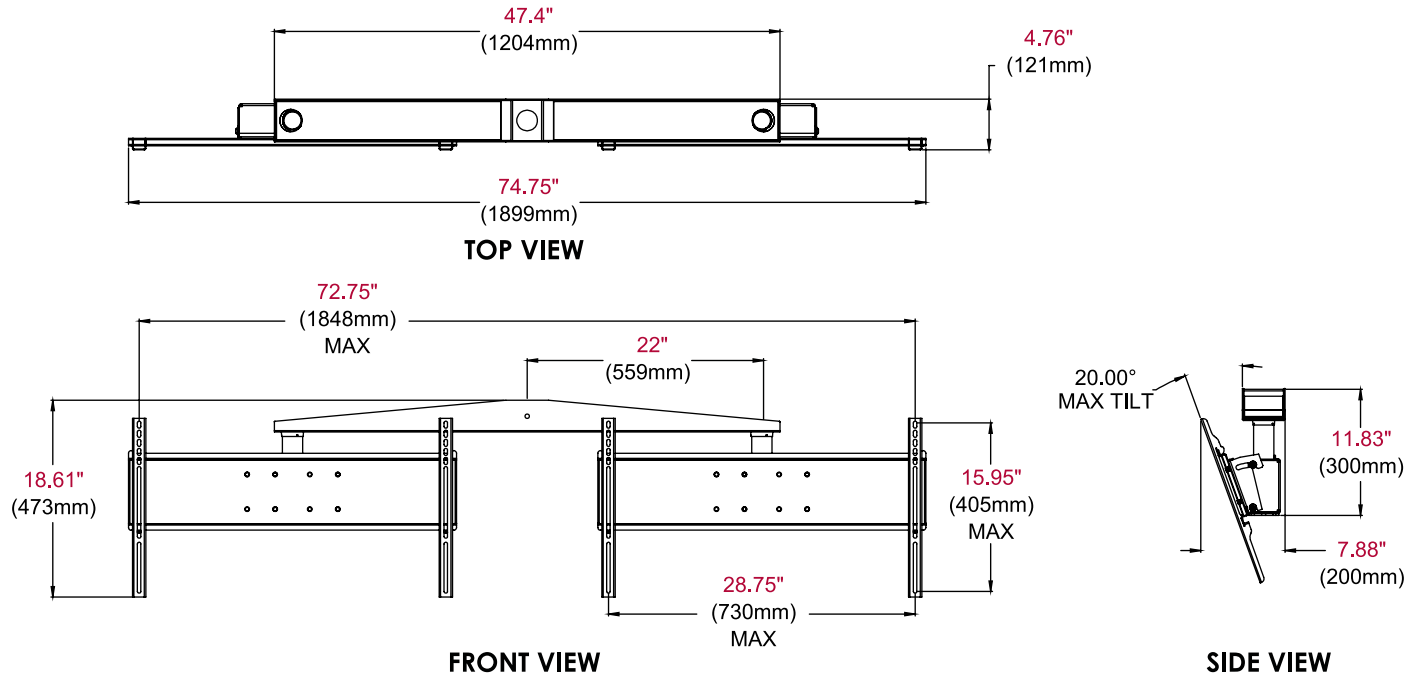
## Package Specifications

	PACKAGE SIZE (W x H x D)	PACKAGE SHIP WEIGHT	PACKAGE UPC CODE	PACKAGE CONTENTS	UNITS IN PACKAGE
<b>DST970X2</b>	57.75" x 19.25" x 7.75" (1467 x 489 x 197mm)	62lb (28.1kg)	735029299226	Dual cross support, 6" extension column (2), tilt box (2), universal adaptor (2) and mounting hardware	1

## Accessories

ACC, CMJ, DCS and DCT models: Ceiling Plates  
 EXT, AEC, ALU and ADD models: Ceiling Extension Columns

All dimensions = inch (mm)



## Architect Specifications

The Dual Display Ceiling Mount shall be a Peerless-AV model DST970X2 and shall be located where indicated on the plans. Assembly and installation shall be done according to instructions provided by the manufacturer.