

PLCM-UNL
PLCM-UNL-CP(-AB/-AW)



Display size
32"-75"



Max load
200lb (90.7kg)

SMARTMOUNT.

Universal Ceiling Mount

FOR 32" TO 75" DISPLAYS

Peerless-AV's PLCM flat panel ceiling mount products and components utilize a 1.5" NPT pipe for versatility, support and connection. The 1.5" NPT threaded pipe make it simple to customize each mount to your specific application. The PLCM-UNL kit combines the PLP-UNL universal adaptor plate, the PLCM-2 tilt box and a fixed length 1.5" NPT column to deliver a drop of 30" for display mounting patterns of up to 730 x 405mm. When combined with a Peerless-AV ceiling plate, it provides the perfect combination for flat panel ceiling mounting for sports facilities, airports, lobbies or retail environments.

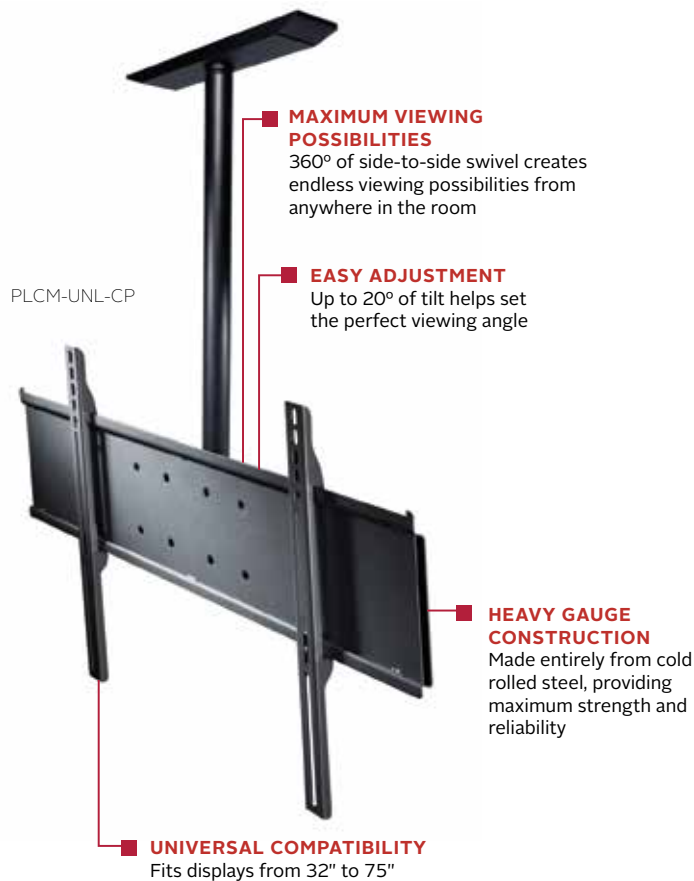
PLCM-UNL's 360° of side-to-side swivel helps create the best viewing angle from anywhere in the room.



Additional Features

- ✓ 0° to 20° adjustable tilt and 360° swivel
- ✓ Standard 1.5" NPT pipe included providing a 30" drop
- ✓ Simple hook-on display installation
- ✓ Universal models fit displays with mounting holes up to 730 x 405mm (28.75"W x 15.95"H)
- ✓ Integrated cable management protects, contains and conceals cables for a clean, professional installation
- ✓ Agion® antimicrobial* finish assists in controlling the spread of infections with PLCM-UNL-CP-AB/AW models

*Antimicrobial protection is limited to the treated article and does not protect a user against disease causing bacteria. Always clean products thoroughly after each use. Visit agion-tech.com for more details.



RoHS



PLCM-UNL-CP-AB/AW:



PLCM-UNL Models Patented. Utility Patent No. 8,517,322;8,348,212.

PLCM-UNL/PLCM-UNL-CP(-AB)(-AW) SmartMount® Universal Ceiling Mount for 32" to 75" Displays

Product Specifications

	DIMENSIONS (W x H x D)	PRODUCT WEIGHT	LOAD CAPACITY	FINISH	AVAILABLE COLORS
PLCM-UNL	30.75" x 42.56" x 4.33" (781 x 1081 x 110mm)	22.8lb (10.4kg)	200lb (90.7kg)	Powder Coat	PLCM-UNL: Black
PLCM-UNL-CP(-AB)(-AW)	30.75" x 43.54" x 4.54" (781 x 1106 x 115mm)	25.6lb (11.6kg)			PLCM-UNL-CP: Black PLCM-UNL-CP-AB: Antimicrobial* black PLCM-UNL-CP-AW: Antimicrobial* white

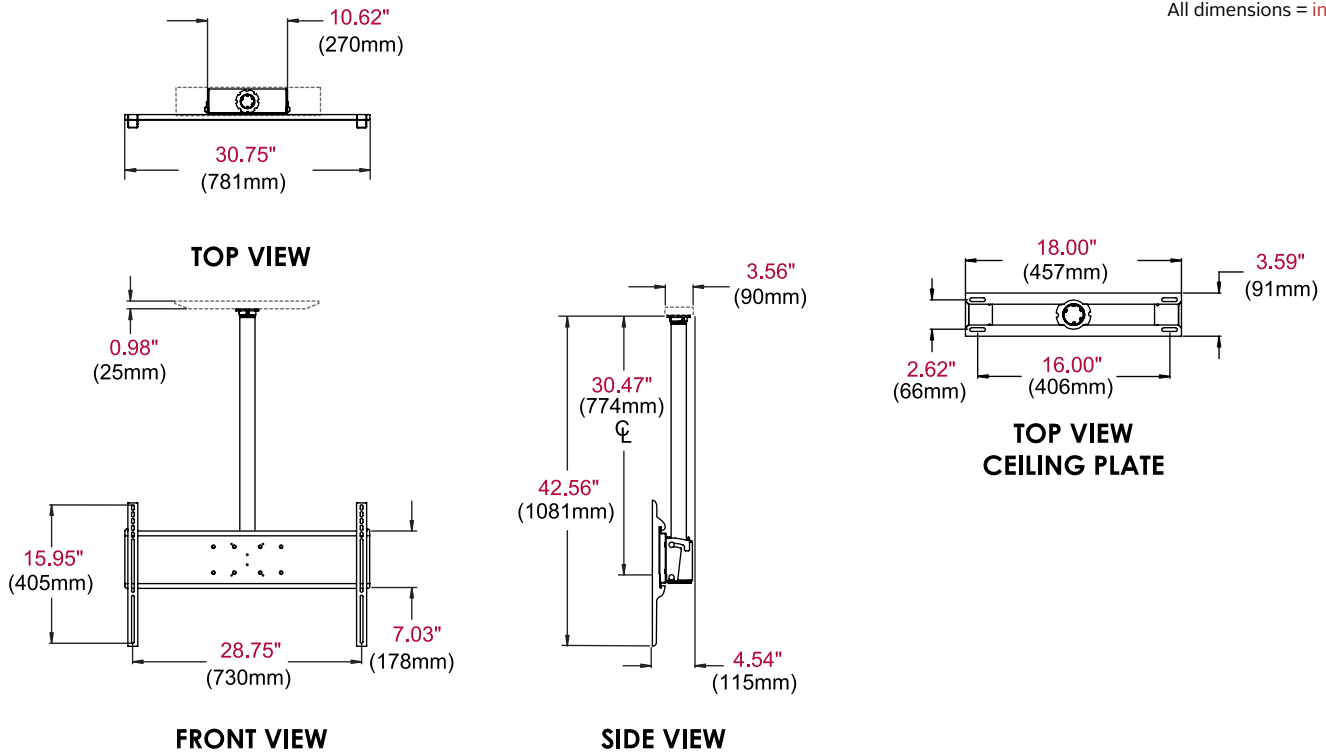
*Antimicrobial protection is limited to the treated article and does not protect a user against disease causing bacteria. Always clean products thoroughly after each use. Visit agion-tech.com for more details.

Package Specifications

	PACKAGE SIZE (W x H x D)	PACKAGE SHIP WEIGHT	PACKAGE UPC CODE	PACKAGE CONTENTS	UNITS IN PACKAGE
PLCM-UNL	38.50" x 12.25" x 8.50" (978 x 311 x 216mm)	29.6lb (13.5kg)	PLCM-UNL: 735029241713 PLCM-UNL-CP: 735029241720	PLCM-UNL: Extension column, tilt box, universal display adaptor, mounting hardware & instructions	1
PLCM-UNL-CP(-AB)(-AW)	38.50" x 12.25" x 8.50" (978 x 311 x 216mm)	31.7lb (14.4kg)	PLCM-UNL-CP-AB: 735029280934 PLCM-UNL-CP-AW: 735029280941	PLCM-UNL-CP(-AB/-AW): Ceiling plate, extension column, tilt box, universal display adaptor, mounting hardware & instructions	

Accessories ACC, CMJ, DCS, DCT Models: Ceiling Plates

All dimensions = inch (mm)



Architect Specifications

The Smartmount® Universal Ceiling Mount shall be a Peerless-AV model PLCM-UNL or PLCM-UNL-CP(-AB/-AW) and shall be located where indicated on the plans. Assembly and installation shall be done according to instructions provided by the manufacturer.