

It's easy to pamper every guest.



NJ478 Series Hospitality TVs

Meet guests' TV expectations with the LED industry leader.

With the Samsung 478 Series Hospitality TVs, the leading LED panel manufacturer in the world allows you to deliver a premium experience to your guests, while still being budget-conscious. The 478 Series features slim direct-lit LED technology to deliver all the benefits of LED more affordably. You get big, bright, beautiful pictures, with a cost of entry similar to that of a traditional CCFL back-lit option. LED uses up to 50% less energy, too, helping you conserve and save money. And content management is made simple with the Samsung REACH 4.0 management solution. It's the platform that delivers an at-home, in-room experience. And it's from Samsung.

Key Features



Direct-Lit LED Technology for an Affordable, Premium Experience

Direct-lit LED technology provides the brilliance and energy savings advantages of LED technology, along with the uniform brightness typical of CCFL displays. And it does it all with an efficiency that makes it a more affordable technology. In fact, it's possible to upgrade your rooms to LED technology for a cost comparable to CCFL technology.



Samsung LYNK™ DRM HD Content Decryption

Samsung's software-based DRM technology is integrated into the entire Samsung Hotel TV line. Samsung LYNK™ offers a robust solution to unlock premium HDTV content from content providers such as cable, satellite and VOD providers, with maximum efficiency and security.



Pro:Idiom™ HD Content Decryption DRM

The 478 Series is equipped with Pro:Idiom™ MPEG4 technology, making the TVs compatible with most major VOD/PPV systems.



Samsung LYNK™ REACH 4.0 Content Management Solution

Samsung LYNK REACH 4.0 is a complete content management solution that accommodates coaxial, LAN and Wi-Fi infrastructures to amplify hotel management, monitoring and guest service functions. LYNK REACH 4.0 enriches the guest experience with efficiency-enhancing technology that transforms the in-room display into a comprehensive digital experience.



b-LAN (SONIFI®) Integration

Broadband Local Area Network (b-LAN) integrates SONIFI® technology to allow televisions to work in the SONIFI® system right out of the box.



A Host of Features

The display pedestal stands rotate with 20/20, 60/60 and 90/90 degree stops, for easy adjustability. Other features of the 478 Series include: Home Menu, RJ12 IR PASS, Volume Limiters, Rear Panel Lock-out, Menu Display Lock-out, Hotel Custom Logo/Welcome Message, Channel List Guide, Channel Re-mapping, Remote Jack Pack (RJP) Priority, USB Cloning and Anti-Theft Battery Cover Remote Control.

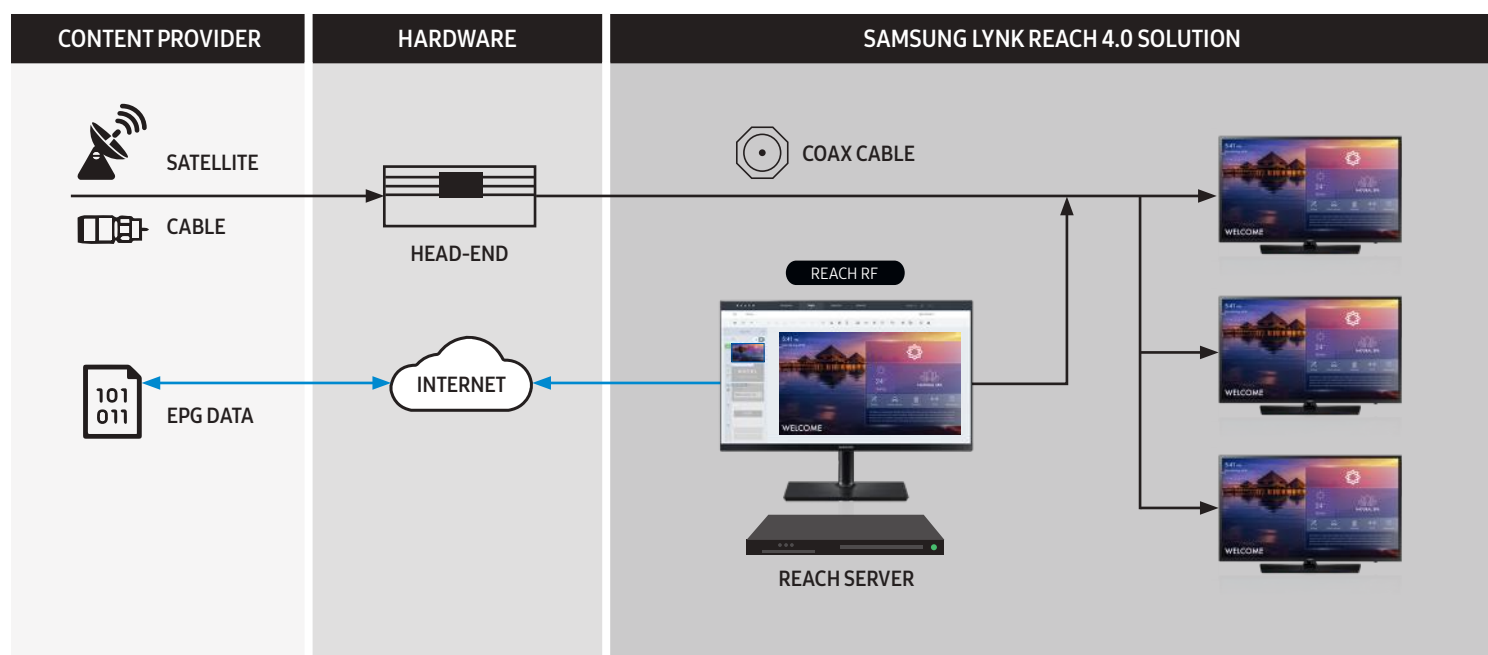
A better environment and easier management through Samsung LYNK.™

Samsung LYNK REACH 4.0 CMS delivers more than just content.

Control content on hundreds of TVs at once. Eliminate room-by-room visits to each guest room by using a single-location remote solution. The REACH (RF) Server delivers updated firmware and other settings to TVs through RF signals. REACH (IP) is also available for centralized control of SMART hospitality TVs without the need of additional hardware. Updates are simple and simultaneous, so there's no need to go from room to room to update each display with USB Cloning. This way, your staff has more time to focus on other ways of improving the guest experience.

Reinforce your brand. Extend your hospitality beyond your front lobby and into your rooms for a tailored, personalized guest experience. With the fully customizable Graphical User Interface (GUI), you can choose from the pre-built templates or upload your own assets to develop a GUI from scratch. Plus, Samsung has a network of certified REACH integration partners who can also provide turnkey solutions.

Keep your guests entertained. LYNK REACH provides channel management capabilities including a customizable interactive program guide. Additionally, with third-party casting services, your guests can connect their mobile devices to the in-room screen. With a few easy steps, they can access 1000+ apps for an exceptional entertainment experience.



Digital Rights Management (DRM)

Samsung LYNK™ DRM HD Content Decryption (RF)

Samsung's software-based DRM technology is integrated into the entire Samsung Hotel TV line. Samsung LYNK™ offers a robust solution to unlock premium HDTV content from content providers such as cable, satellite and VOD providers, with maximum efficiency and security.

Pro:Idiom™ DRM HD Content Decryption (RF)

The NJ477 Series is equipped with Pro:Idiom™ MPEG4 technology, making the TVs compatible with most major VOD/PPV systems. You can offer your guests premium HDTV content from cable, satellite or video-on-demand services with no optional cards or external box needed.



Pro:Idiom™

b-LAN (SONIFI® integration)

Broadband Local Area Network (b-LAN) integrates SONIFI® technology to allow televisions to work in the SONIFI® system right out of the box, without any need to add terminals or cards.

Connections

Anynet+ (HDMI – CEC)

This Samsung protocol allows the user to control other HDMI devices connected to the TV display, such as DVD players, PC computers and Soundbars.

ConnectShare™ (USB 2.0)

Connect a thumb drive or digital camera quickly and easily. User-friendly interface allows access to videos, a music playlist and pictures via the remote.

Hotel TV (RJ-12/IR Pass Through)

Allows you to connect an interactive STB/SBB (Set Top Box/Set Back Box).

Interactive Compatibility System



Remote Jack Panel (RJP) Compatibility



Management and Guest Convenience

Anti-Theft Battery Cover

Battery door is secured, ensuring batteries remain in the remote controller.

Auto Channel Search

Auto detect channel while in Hotel mode.

Clock On Timer and Alarm Key

Allows guests to program their TVs to turn on as a wake-up alarm.

Closed Captioning

A text display of all audio content, including spoken dialog and non-speech information such as the identity of the speakers and symbols for sound effects and music.

Hotel Channel List

Guest master channel listing of program content. This will display content in analog or HD.

Hotel Logo Display with Time Out Setting

Display hotel logo bitmap files as a greeting startup display.

Hotel Mode Plug & Play

Interactive and Stand-Alone modes available.

Multi-Code Remote

Eliminates interference when two or more TVs are used in close proximity to each other.

Lockout Controls

The hotelier can enable front panel and menu display lock-outs.

Picture-in-Picture

Display one program while another is being displayed on the full TV screen at the same time.

Power On Status Setting

Settings include Power Always On, Last Option or Standby.

On Screen Display Language

Choose English/French/Spanish.

Sleep Timer

Allows guests to set TV turn-off time in 30-minute intervals up to 180 minutes.

USB Cloning

A quick and easy way to copy the ideal settings off one television to others on the property. Saves time and helps provide a consistent viewing experience for all televisions.

Picture and Audio

Auto Volume Limiter

During initial product setup, minimum and maximum volume levels can be locked to help minimize disturbance to other hotel guests.

Music Mode (Input: HDMI/PC/AV/Component)

Allows audio feedback when picture is muted.

Music Mode Backlight On/Off

Background display.

Premium Slim Direct-Lit LED Technology

Direct-lit LED technology provides the brilliance and energy savings advantages of LED technology, along with the uniform brightness typical of CCFL displays. And it does it all with an efficiency that makes it a more affordable technology. In fact, it's possible to upgrade your rooms to LED technology for a cost comparable to CCFL technology. When you add the energy savings of up to 50% that LED offers over CCFL, you end up with the perfect solution for both you and your guests.

Samsung Soundbar Compatible

Samsung Hospitality Displays enable Soundbar compatibility by supporting HDMI-CEC. When you connect the Soundbar to the Samsung Hospitality Display with an HDMI cable, the TV audio settings and menu lock feature are automatically applied, so you don't have to set up the Soundbar separately. You can also prevent guests from changing the settings. With a single remote, guests can control both the TV and Soundbar simultaneously.

Swivel (20/20, 60/60, 90/90) Stands

Pedestal stands rotate with 20/20, 60/60 and 90/90 degree stops, so wherever in the room your guests are, they should have an excellent view of their TV. Swivel stand includes integrated mounting plate and bolt-down kit (excludes 32" model).

HD and FHD Resolution

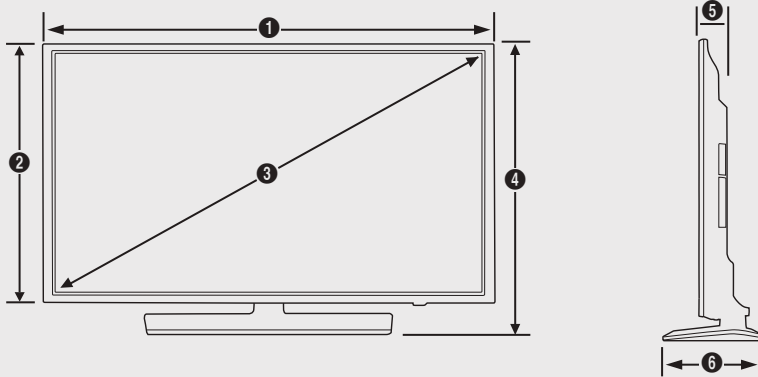
NJ478 Series TVs feature 1920 x 1080 FHD resolution (32" model features 1366 x 768 HD). All deliver the sharp, clear, colorful images Samsung is known for.

Warranty

Hospitality Warranty

2-year parts and 2-year labor warranty backed by the Samsung Hospitality Hotline at 1-866-894-0524. Optional professional installation, accessories and extended warranty are available.

NJ478 Series Dimensions



32" | HG32NJ478NFXZA - 720p

1	2	3	4	5	6
29.0"	17.2"	32.0"	19.1"	2.9"	7.6"

43" | HG43NJ478MFXZA - 1080p

1	2	3	4	5	6
38.6"	22.5"	43.0"	24.5"	3.0"	8.9"

40" | HG40NJ478MFXZA - 1080p

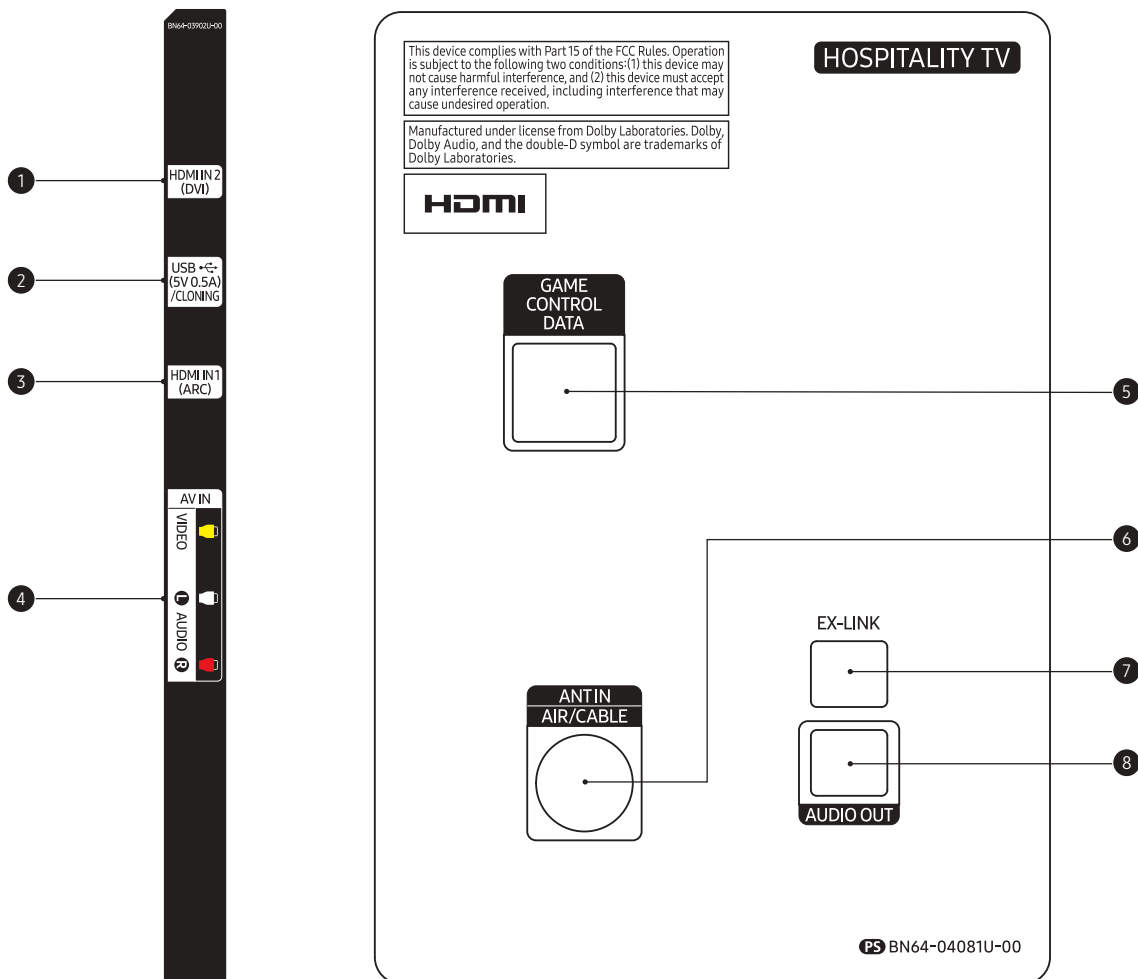
1	2	3	4	5	6
36.1"	20.8"	40.0"	22.8"	3.0"	8.9"



NJ478 Series Connectivity

HG32NJ478NFXZA / HG40NJ478MFXZA / HG43NJ478MFXZA

- | | | |
|----------------------------|-------------------------------|----------------------|
| 1. HDMI In 2 (DVI) | 4. AV In (Video, Audio L / R) | 7. Ex-Link (RS-232C) |
| 2. USB (5V 0.5A) / Cloning | 5. Game Control Data | 8. Audio Out |
| 3. HDMI In 1 (ARC) | 6. Antenna In (Air / Cable) | |



Samsung NJ478 Series Hospitality TVs

NJ478 Series Key Specifications

For complete product specifications, visit samsung.com/hospitality

		HG32NJ478NFXZA	HG40NJ478MFXZA	HG43NJ478MFXZA
Display	Backlight	LED	LED	LED
	Screen Size (Diagonal)	32"	40"	43"
	HD/FHD	HD	FHD	FHD
	Resolution	1,366 x 768	1920 x 1080	1920 x 1080
Video	Picture Engine	HyperReal	HyperReal	HyperReal
	Dynamic Contrast Ratio	Mega Contrast	Mega Contrast	Mega Contrast
	Wide Color Enhancer (Plus)	Yes	Yes	Yes
	Film Mode	Yes	Yes	Yes
Audio	Dolby Digital Plus	Yes	Yes	Yes
	Sound Output (RMS)	10W (L:5W, R:5W)	20W (L:10W, R:10W)	20W (L:10W, R:10W)
	Speaker Type	2CH (Down Firing w/Bass Reflex)	2CH (Down Firing w/Bass Reflex)	2CH (Down Firing w/Bass Reflex)
SMART TV	Smart TV Type	Non Smart	Non Smart	Non Smart
Features	Accessibility	Voice Guide	Voice Guide	Voice Guide
	Clean View	Yes	Yes	Yes
	Analog Clean View	Yes	Yes	Yes
	Digital Clean View	Yes	Yes	Yes
	Auto Channel Search	Yes	Yes	Yes
	Auto Power Off	Yes	Yes	Yes
	Caption (Subtitle)	Yes	Yes	Yes
	ConnectShare™ (USB 2.0)	Yes	Yes	Yes
	Sports/Football Mode	Yes	Yes	Yes
	EPG	Yes	Yes	Yes
	Game Mode	Yes	Yes	Yes
	OSD Language	English, Spanish, French	English, Spanish, French	English, Spanish, French
	Picture-In-Picture	Yes	Yes	Yes
	V-Chip	Yes	Yes	Yes
System	Digital Broadcasting	ATSC / Clear QAM	ATSC / Clear QAM	ATSC / Clear QAM
	Analog Tuner	Yes	Yes	Yes
Hospitality Features	Samsung LYNK™ REACH (RF)	REACH 4.0	REACH 4.0	REACH 4.0
	bLAN	Yes	Yes	Yes
	Auto Source Mode	Yes	Yes	Yes
	Power On Mode	Yes	Yes	Yes
	Hotel Channel List	Yes	Yes	Yes
	Channel Menu Display	Yes	Yes	Yes
	Mixed Channel List (ATSC, DVB-T/T2/C/S2, Analog)	Yes	Yes	Yes
	My Channel	Yes	Yes	Yes
	Energy Saving Mode (BLU Control)	Yes	Yes	Yes
	Logo Display with Timer Out Setting (BMP/Movie)	Yes	Yes	Yes
	Welcome Message	Yes	Yes	Yes
	RJ12 / IR Pass Through	Yes	Yes	Yes
	Clock Back Up Power Supply	Yes	Yes	Yes
	Software Clock	Yes	Yes	Yes
	Multi Code Remote Control	Yes	Yes	Yes
	Screwed Battery Cover	Yes	Yes	Yes
	Sound Bar Compatibility	Yes	Yes	Yes
	Music Mode (Input: PC/AU/Component/HDMI)	Yes	Yes	Yes
	Music Mode Backlight On/Off	Yes	Yes	Yes
	USB Cloning	Yes	Yes	Yes
	Smooovie Compatibility	Yes	Yes	Yes
	On/Off Timer (Schedule)	Yes	Yes	Yes
	Wake-up Timer (Alarm)	Yes	Yes	Yes
Samsung LYNK™ DRM	Yes	Yes	Yes	
Pro:Idiom	Yes	Yes	Yes	
Security Mode	Yes	Yes	Yes	
S/W EPG (Solution EPG)	Yes	Yes	Yes	
Input and Output	HDMI (Side/Rear)	2/0	2/0	2/0
	USB (Side/Rear)	1/0	1/0	1/0
	Composite In (AV) (Side/Rear)	1/0	1/0	1/0
	Audio Out (Mini Jack / LR) (Side/Rear)	0/1	0/1	0/1
	RF In (Terrestrial / Cable Input / Satellite Input) (Side/Rear)	0/1	0/1	0/1
	Ex-Link (RS-232C)	Common (RJP)	Common (RJP)	Common (RJP)
	HDMI A / Return Ch. Support	Yes	Yes	Yes
	Anynet+ (HDMI-CEC)	Yes	Yes	Yes
	RJ12 (Side/Rear)	0/1	0/1	0/1
	RJP Jack (Remote Jackpack) (Side/Rear)	0/1	0/1	0/1
Design	Front Color	Black Hairline	Black Hairline	Black Hairline
	Bezel Type	Semi-Slim	Semi-Slim	Semi-Slim
	Stand Type	Square	Square	Square
	Swivel (Left/Right)	Yes (20/20, 60/60, 90/90)	Yes (20/20, 60/60, 90/90)	Yes (20/20, 60/60, 90/90)
Dimensions (W x H x D)	Set Size without Stand - Speaker Side (WxHxD) (mm/in)	737.4 x 438.0 x 74.1 / 29.0" x 17.2" x 2.9"	917.1 x 527.7 x 77.0 / 36.1" x 20.8" x 3.0"	979.9 x 571.9 x 77.3 / 38.6" x 22.5" x 3.0"
	Set Size with Stand (WxHxD) (mm/in)	737.4 x 484.6 x 192.6 / 29.0" x 19.1" x 7.6"	917.1 x 578.3 x 226.5 / 36.1" x 22.8" x 8.9"	979.9 x 623.4 x 226.5 / 38.6" x 24.5" x 8.9"
	Package Size (WxHxD) (mm/inch)	914.0 x 541.0 x 140.0 / 36.0" x 21.3" x 5.5"	1120.0 x 638.0 x 172.0 / 44.1" x 25.1" x 6.8"	1210.0 x 680.0 x 175.0 / 47.6" x 26.8" x 6.9"
Weight	Set Weight without Stand (kg / lbs)	4.0 / 8.8	7.0 / 15.4	8.0 / 17.6
	Set Weight with Stand (kg / lbs)	5.6 / 12.3	10.0 / 22.0	11.0 / 24.2
	Package Weight (kg / lbs)	7.7 / 17.0	13.3 / 29.3	14.5 / 32.0
Power	Power Supply (V)	AC110-120V 50/60Hz	AC110-120V 60Hz	AC110-120V 60Hz
Accessory	Remote Controller Model	TM1240A	TM1240A	TM1240A
	Batteries (for Remote Control)	Yes	Yes	Yes
	Mini Wall Mount Support	N/A	Yes	Yes
	Vesa Wall Mount Support	Yes	Yes	Yes
	Power Cable	Yes	Yes	Yes
	Quick Install Guide	Yes	Yes	Yes
	Stand Mount Kit	No	Yes	Yes
	Security Screws (Stand Base)	Yes	Yes	Yes
VESA Standard	VESA Size (mm)	100 x 100	200 x 200	200 x 200
	Wall Mount Screw Size	M4	M8	M8