



AdcommTV.com | 866.211.6770



CONTACT:

Starburst Technologies®
a division of PDI Communications Inc.

6353 W Rogers Circle #6, Boca Raton, FL 33487
TF: 800-242-1606
Email: support@starburstmounts.com
Web: www.starburstmounts.com

©2025 Starburst Technologies All rights reserved.

**STARBURST TECHNOLOGIES:
Empowering Communication Networks
since 1986**

Starburst Technologies (a division of PDI Communications Inc) is a full service design, engineering and manufacturing operation specializing in Ergonomic TV Mounting Solution.

<https://starburstmounts.com/pages/why-starburst>
<https://prezi.com/view/zDnpErebTKb2Vjvi9HMh/>



PROFESSIONAL MOUNTING SOLUTIONS

Empowering Communication Networks Since 1986

www.starburstmounts.com

ABOUT US

Company Overview

STARBURST TECHNOLOGIES (STARBURST), a division of PDI COMMUNICATIONS INC, is a full-service design, engineering, and manufacturing operation specializing in Ergonomic TV Mounting Solutions.

PARENT COMPANY: PDI COMMUNICATIONS INC (PDI), in business since 1985, is the number 1 selling Samsung Hospitality TV Channel Partner in N America, a pioneer in DIRECTV Integration and serves as the Nationwide Fulfillment Center for Starburst TV Mounts.

WHY STARBURST



TRACK RECORD

Starburst Technologies (Starburst) is the number 1 selling TV Mount brand in the Hospitality Marketplace. Starburst can also be found in Convention Centers, Airports, Cruise Ships, Theme Parks, Arenas, Stadiums, Offices, and High-End Luxury Homes. When you consider our Premium Commercial Rated quality, long standing track record and cost-effective price point, Starburst makes an excellent choice!



NATIONWIDE FULFILLMENT

Starburst mounts are available from PDI direct and or through one of our strategically located distributor warehouses.



GREAT QUALITY—BETTER PRICE POINT!

Engineered to compete spec-for-spec with top-end incumbent brands but at pricing up to 50% less.



CUSTOMER SUPPORT

Unparalleled level of ongoing customer support.



UL APPROVAL

All key Starburst mounts have formal UL Listing.



5 Year WARRANTY

We offer a limited 5 year warranty on all STARBURST mounting products.



HUGE INVENTORY

For immediate shipping: Our core target market is hospitality. We specialize in large quantity bulk shipments.

CONTENTS

FIXED TV WALL MOUNT 01

SB-3255WM	02
SB-3265WM	03
SB-3270WM	04
SB-60100WM-XL	05

TILT TV WALL MOUNT 06

SB-3255WMT	07
SB-3265WMT	08
SB-3270WMT	09
SB-3770UST	10
SB-3780WMT-ANTI THEFT	11
SB-4390WMT-EXT	12
SB-60100WMT-XL	13
SB-60100WMT-XL2	14

SWIVEL TILT EXTEND TV WALL MOUNT 15

SB-3270DTL	16
SB-1740PS	17
SB-2350ART	18
SB-3260ART-D	29
SB-3265ART-D	20
SB-3760ART	21
SB-3765ART-D	22
SB-4385ART-1624	23
SB-3275PS-US	24
SB-3790ART-FM	25
SB-3270ART-FM-STB	26
SB-60100ART-XL	27

ECO SERIES 28

SB-E2355ART	29
SB-E3770ART-D	30
SB-E3770CFM	31
SB-E4385WM	32
SB-E4385WMT	33

OUTDOOR WEATHERPROOF TV WALL MOUNT 34

SB-3260ART-W	35
SB-3780WMT-W	36

VIDEO WALL MOUNT 37

SB-4570VW-LAND	38
----------------	----

FLEXION SERIES - MONITOR STANDS 39

SB-MA-AMA012	40
SB-MA-AMA024	41
SB-MA-AMS01	42
SB-MA-AMS024	43
SB-MA-FLX-1BL-U	44
SB-MA-FLX-2BL-U	45
SB-MA-FLX-1AL-U	46
SB-MA-FLX-2AL-U	47

CABLE MANAGEMENT KIT 48

SB-CC-KIT-36	49
--------------	----



adcommTV
Experience. Innovation



FIXED

TV WALL MOUNT

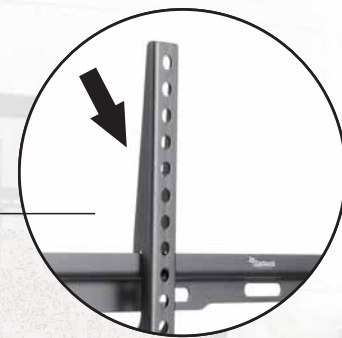
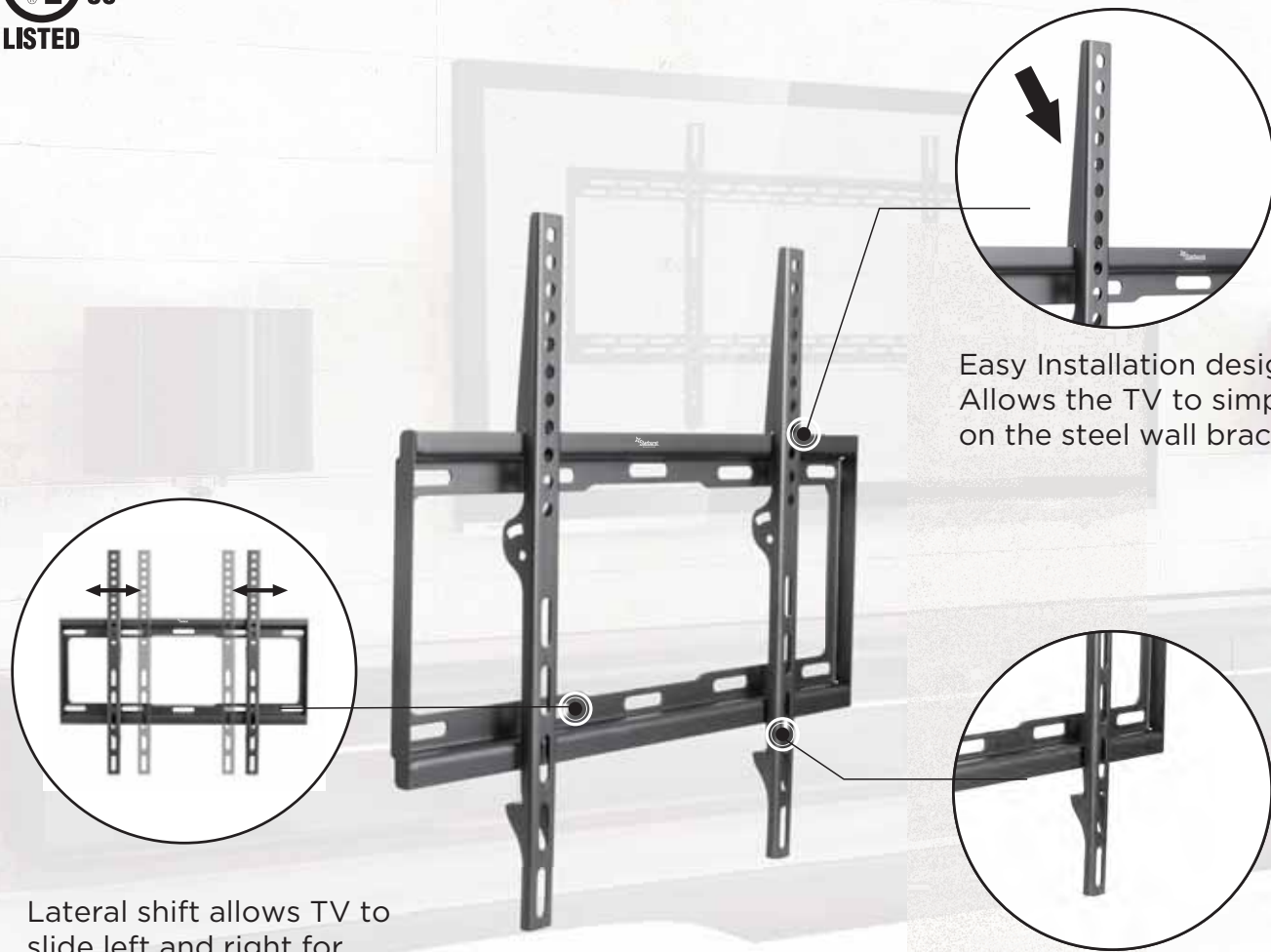
www.starburstmounts.com

Pro Series

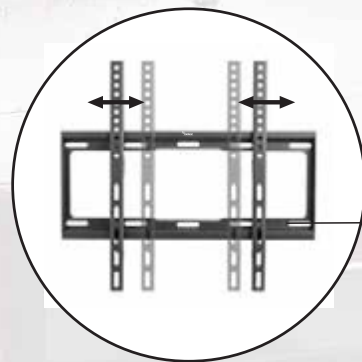
Fixed TV Wall Mount

For 32-55" Displays

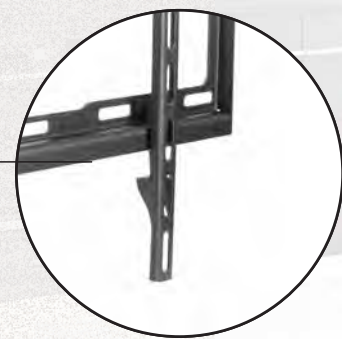
SB-3255WM



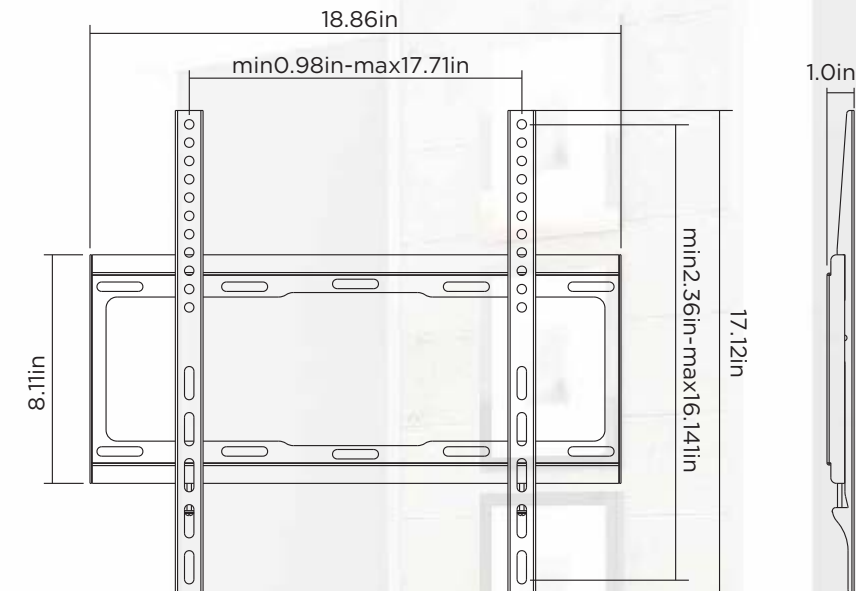
Easy Installation design
Allows the TV to simply hook
on the steel wall bracket.



Lateral shift allows TV to
slide left and right for
perfect placement



Slim Profile
Under 1" (25mm)



Specifications

Screen Size	Weight Capacity	VESA	Profile to Wall	Strength Tested
32"-55"	40 kg / 88 lbs	200x200 300x300 400x200 400x400	25 mm / 1"	Four Times

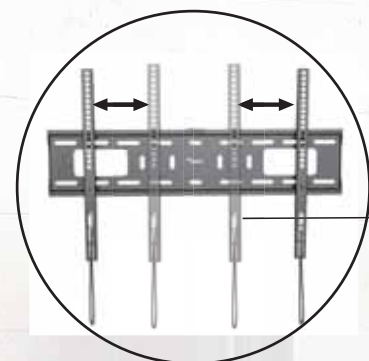
Packing Information

Single Unit [inch]	Master Carton [inch]	QTY/Carton	Weights [lbs]	QTY 20' CONTAINER	QTY 40' CONTAINER
8.4"x1.18"x19.1"	19.7"x9.1"x12.4"	10 PCS	3 lbs single / 35 lbs carton	7,450 PCS	15,460 PCS

Units are packaged in a professional quality box that include all of the necessary installation hardware and easy to follow instructions.

www.starburstmounts.com

Pro Series Fixed TV Wall Mount For 32-65" Displays SB-3265WM



Lateral shift allows TV to slide left and right for perfect placement



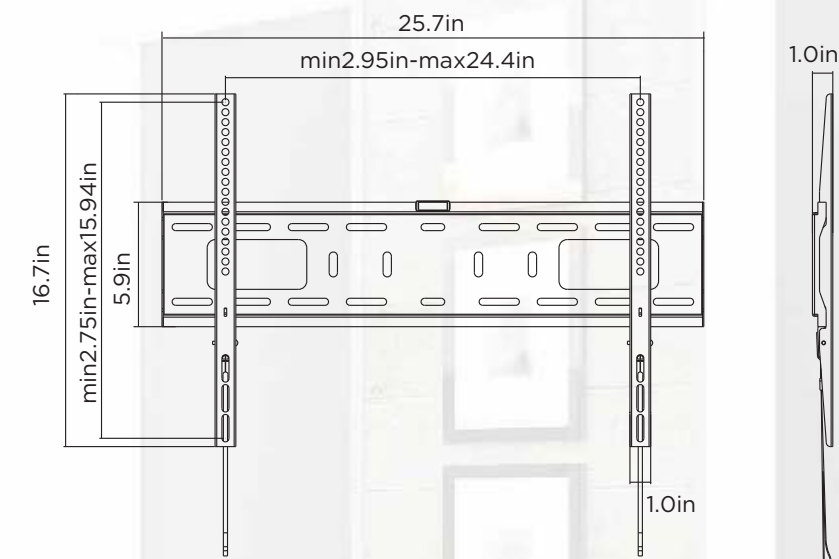
Easy Installation design
Allows the TV to simply hook on the steel wall bracket.



Automatically click-in spring lock help TV brackets snap into place for added safety



Built in Screen
Level adjustment



Specifications

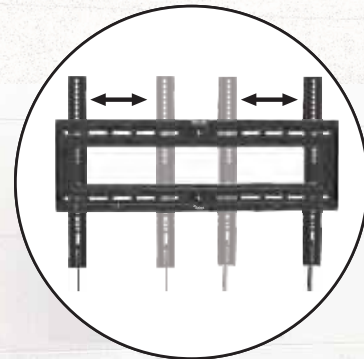
Screen Size	Weight Capacity	VESA	Profile to Wall	Strength Tested
32"-65"	50 kg / 110 lbs	200x200 300x300 400x200 400x400 600x400	25 mm / 1"	Three Times

Packing Information

Single Unit [Inch]	Master Carton [Inch]	QTY/Carton	Weights [lbs]	QTY 20' CONTAINER	QTY 40' CONTAINER
26.4"x6.1"x1.2"	27"x10.4"x6.7"	8 PCS	4 lbs single / 36 lbs carton	6,984 PCS	14,496 PCS

Units are packaged in a professional quality box that include all of the necessary installation hardware and easy to follow instructions.

Pro Series Elite Fixed TV Wall Mount For 32-70" Displays SB-3270WM



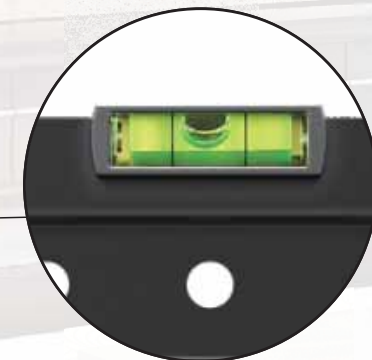
Lateral shift allows TV to slide left and right for perfect placement



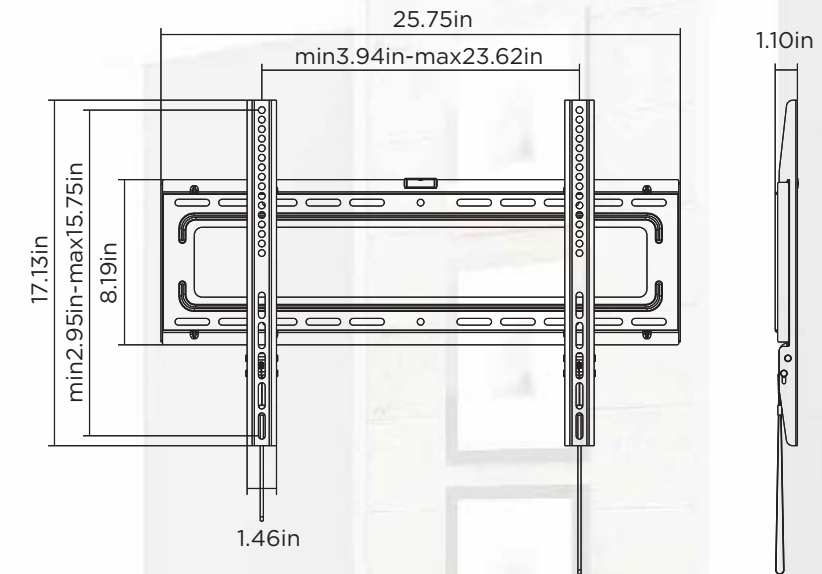
Add stiffening ribs to enhance the strength of wall plate



Automatically click-in spring lock help TV brackets snap into place for added safety



Built in Screen Level adjustment



Specifications

Screen Size	Weight Capacity	VESA	Profile to Wall	Strength Tested
32"-70"	50 kg / 110 lbs	200x200 300x300 400x300 400x400 600x400	28mm/1.1"	Four Times

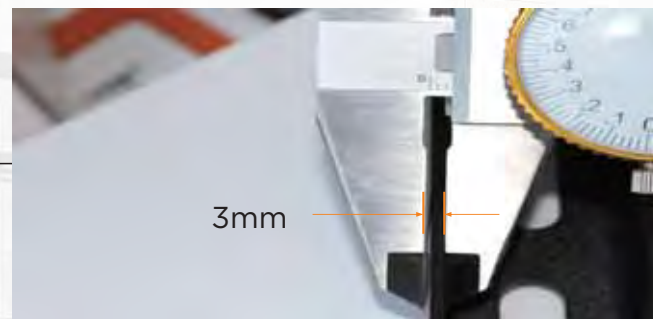
Packing Information

Single Unit [inch]	Master Carton [inch]	QTY/Carton	Weights [lbs]	QTY 20' CONTAINER	QTY 40' CONTAINER
26.6"x8.4"x1.4"	27.2"x9.1"x9.1"	6.0 PCS	6 lbs single / 39 lbs carton	4434 PCS	9204 PCS

Units are packaged in a professional quality box that include all of the necessary installation hardware and easy to follow instructions.

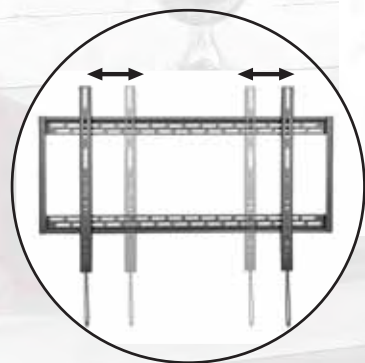
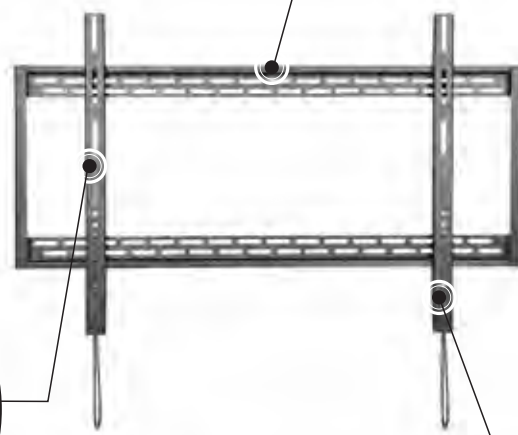
www.starburstmounts.com

Beast XX-Large Fixed TV Wall Mount For 60-100" Displays SB-60100WM-XL



3mm

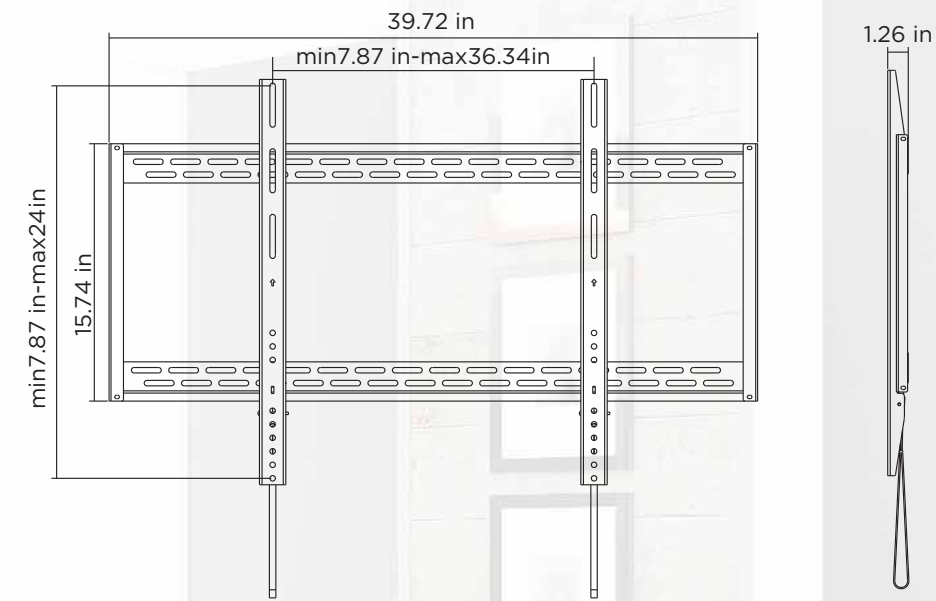
3mm steel wall plate
with open architecture



Lateral shift allows TV to
slide left and right for
perfect placement



Automatically click-in spring lock
with easily-release tab.



Specifications

Screen Size	Weight Capacity	VESA	Profile to Wall	Strength Tested
60"-100"	100 kg / 220 lbs	200x200 300x300 400x200 400x400 600x400 800x400 800x600 900x600	32 mm / 1.26"	Four Times

Packing Information

Single Unit [Inch]	Master Carton [Inch]	QTY/Carton	Weights [lbs]	QTY 20' CONTAINER	QTY 40' CONTAINER
43.9"x16.3"x1.6"	44.5"x7.1"x16.9"	4 PCS	13 lbs single / 55 lbs carton	1,232 PCS	2,560 PCS

Units are packaged in a professional quality box that include all of the necessary installation hardware and easy to follow instructions.



adcommTV
Experience. Innovation



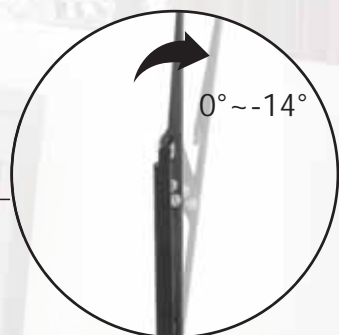
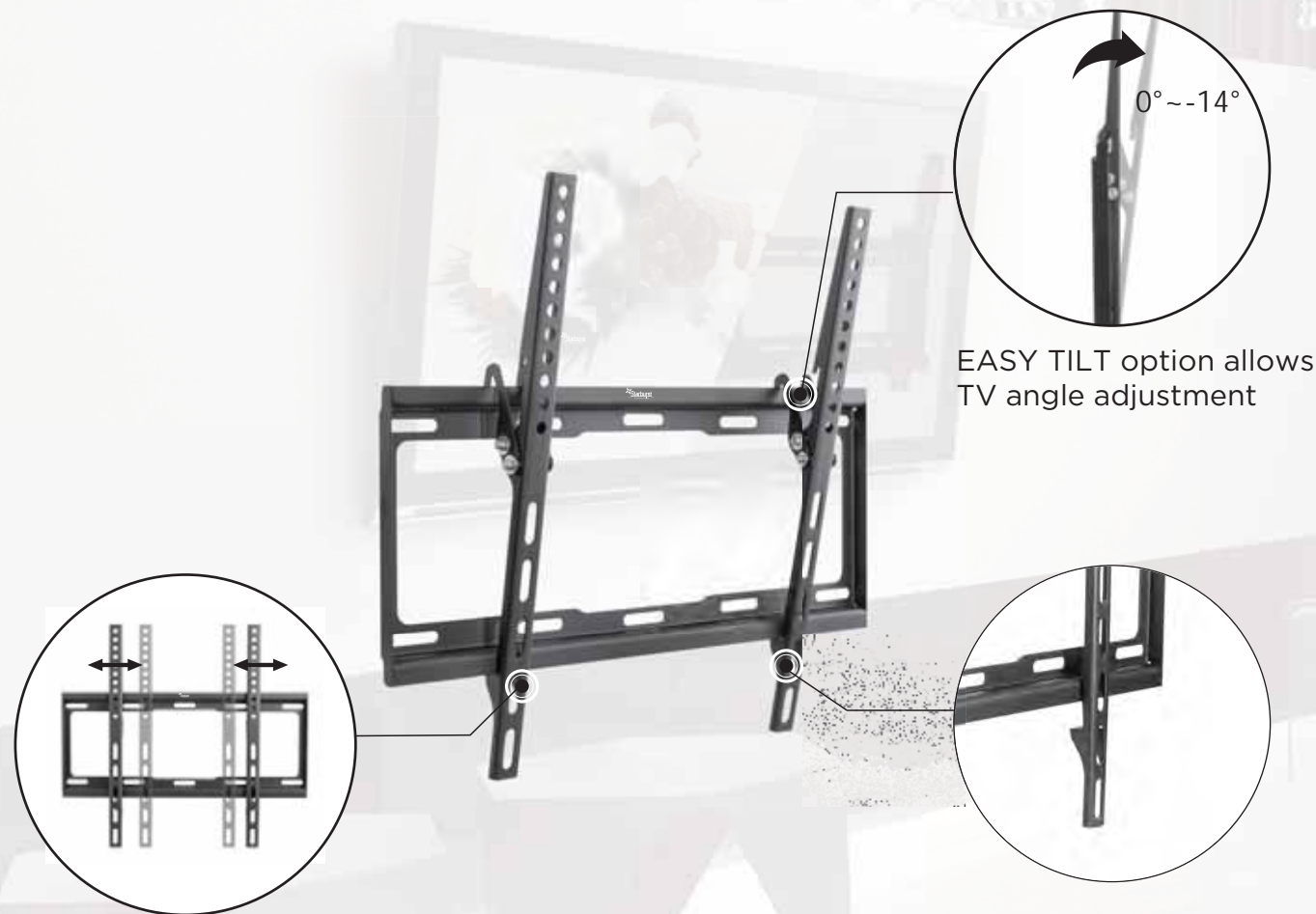
TILT

TV WALL MOUNT

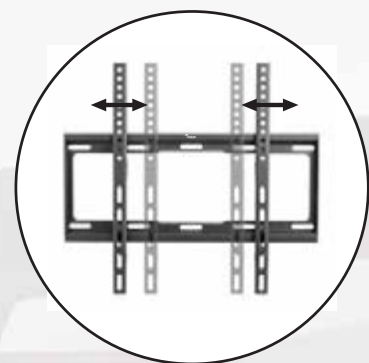
AdcommTV.com | 866.211.6770

www.starburstmounts.com

Pro Series Tilt TV Wall Mount For 32-55" Displays SB-3255WMT



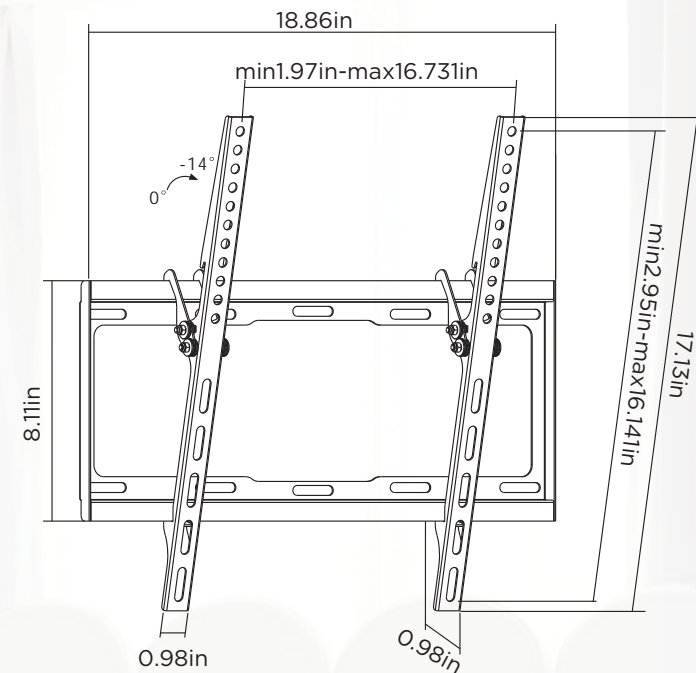
EASY TILT option allows TV angle adjustment



Lateral shift allows TV to slide left and right for perfect placement



Slim Profile Under 1" (25mm)



Specifications

Screen Size	Weight Capacity	VESA	Profile to Wall	Strength Tested
32"-55"	35 kg / 77 lbs	200x200 300x300 400x200 400x400	25 mm / 1"	Four Times

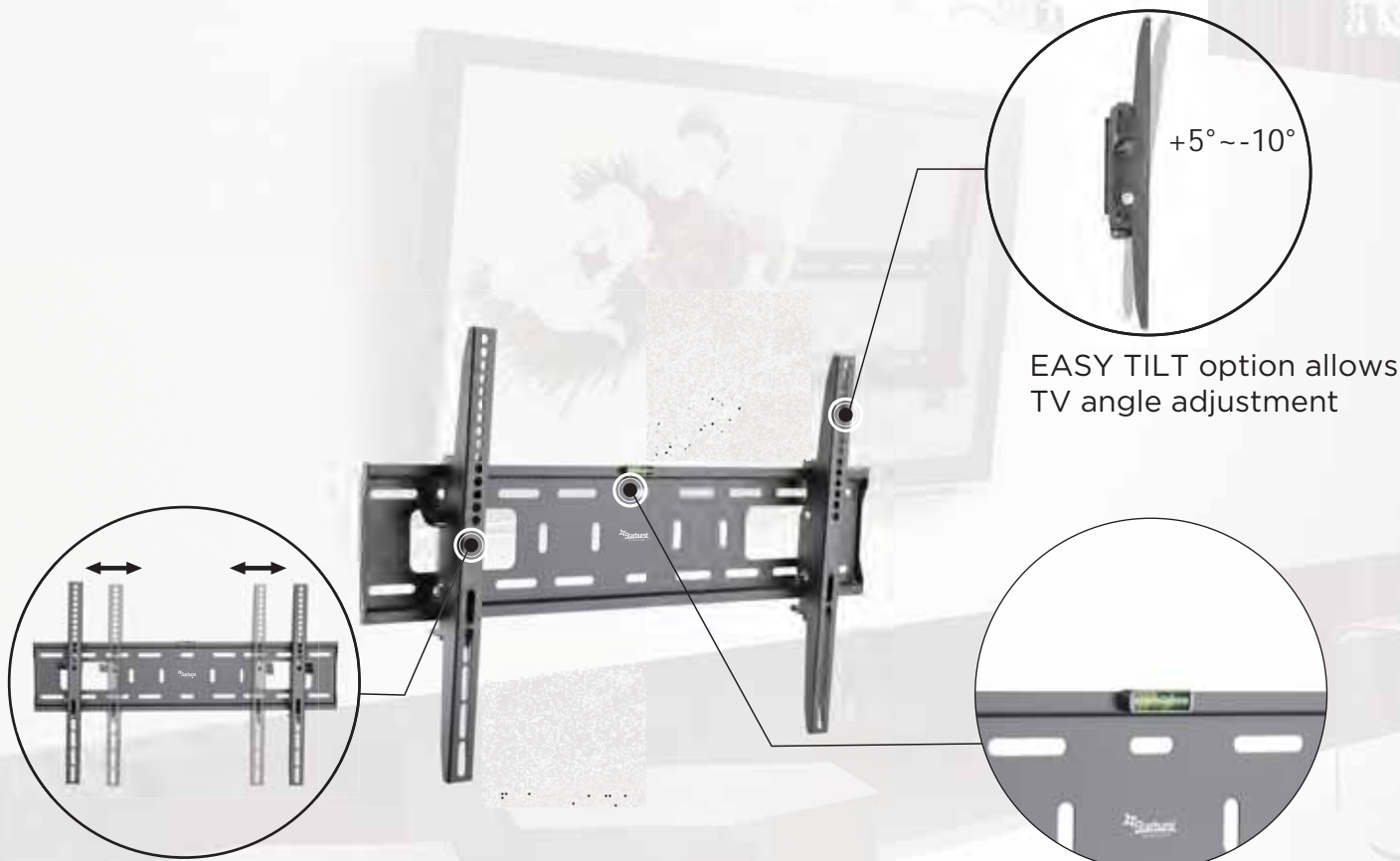
Packing Information

Single Unit [inch]	Master Carton [inch]	QTY/Carton	Weights [lbs]	QTY 20' CONTAINER	QTY 40' CONTAINER
8.46"x1.18"x19.09"	19.7"x9.1"x12.4"	10 PCS	3.6 lbs single / 37 lbs carton	7,450 PCS	15,460 PCS

Units are packaged in a professional quality box that include all of the necessary installation hardware and easy to follow instructions.

www.starburstmounts.com

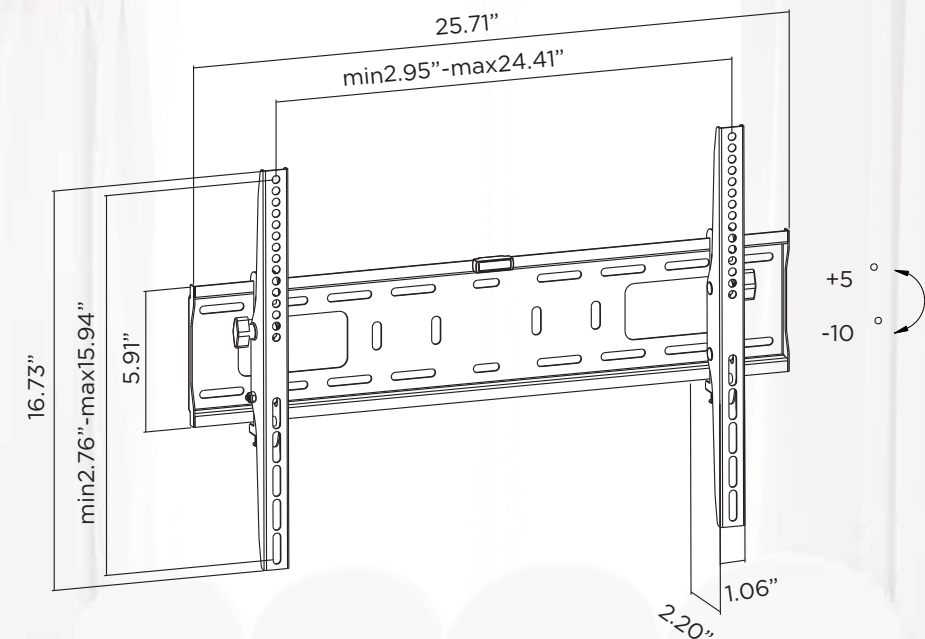
Pro Series Tilt TV Wall Mount For 32-65" Displays SB-3265WMT



EASY TILT option allows TV angle adjustment

Lateral shift allows TV to slide left and right for perfect placement

Built in Screen Level adjustment



Specifications

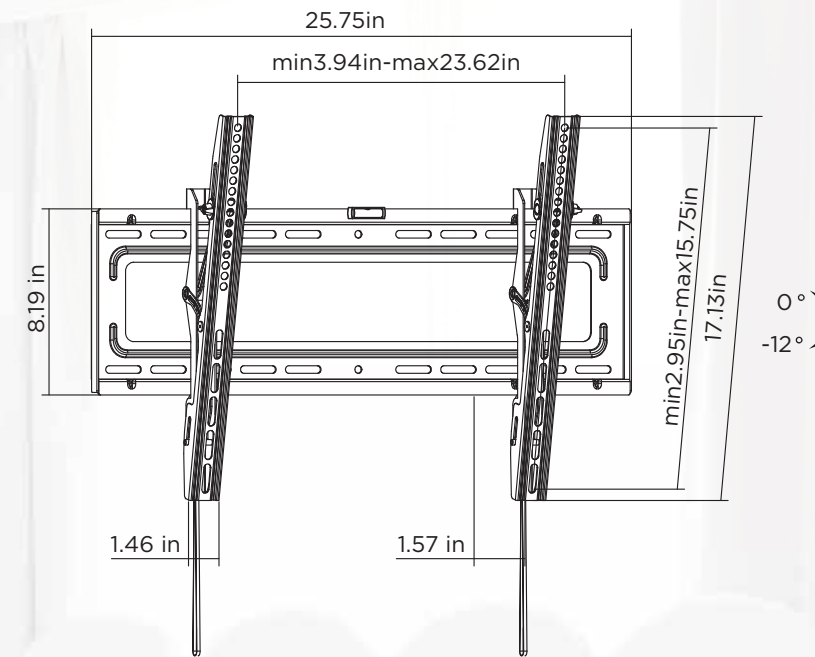
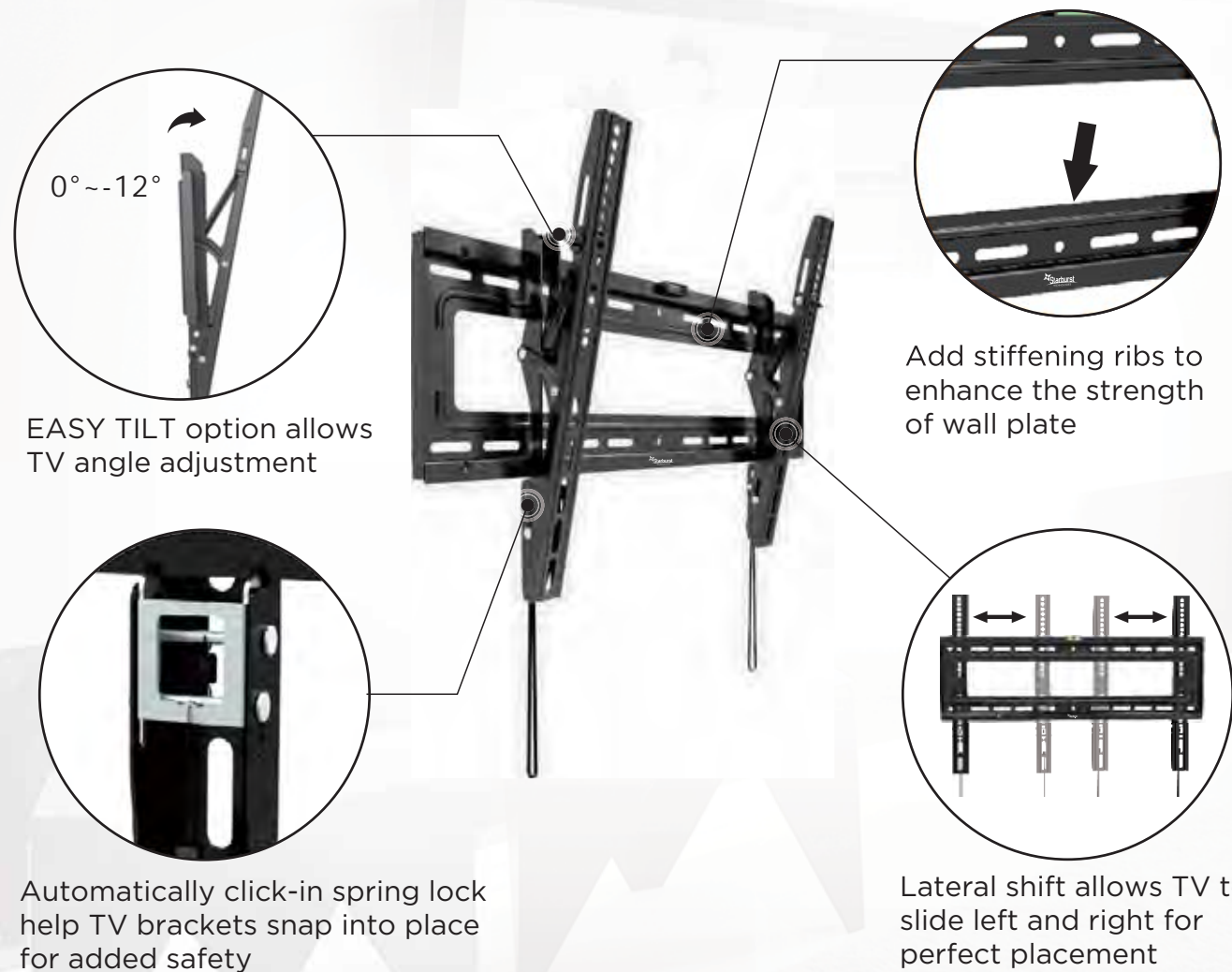
Screen Size	Weight Capacity	VESA	Profile to Wall	Strength Tested
32"-65"	50 kg / 110 lbs	200x200 300x300 400x200 400x400 600x400	56 mm / 2.2"	Three Times

Packing Information

Single Unit [inch]	Master Carton [inch]	QTY/Carton	Weights [lbs]	QTY 20' CONTAINER	QTY 40' CONTAINER
26.57"x6.10"x2.56"	27.2"x11.1"x13"	8 PCS	6 lbs single / 48 lbs carton	3,352 PCS	6,952 PCS

Units are packaged in a professional quality box that include all of the necessary installation hardware and easy to follow instructions.

Pro Series Elite Tilt TV Wall Mount For 32-70" Displays SB-3270WMT



Specifications

Screen Size	Weight Capacity	VESA	Profile to Wall	Tilt Range	Strength Tested
32"-70"	50 kg / 110 lbs	200x200 300x300 400x200 400x400 600x400	40mm/1.57"	0°--12°	Four Times

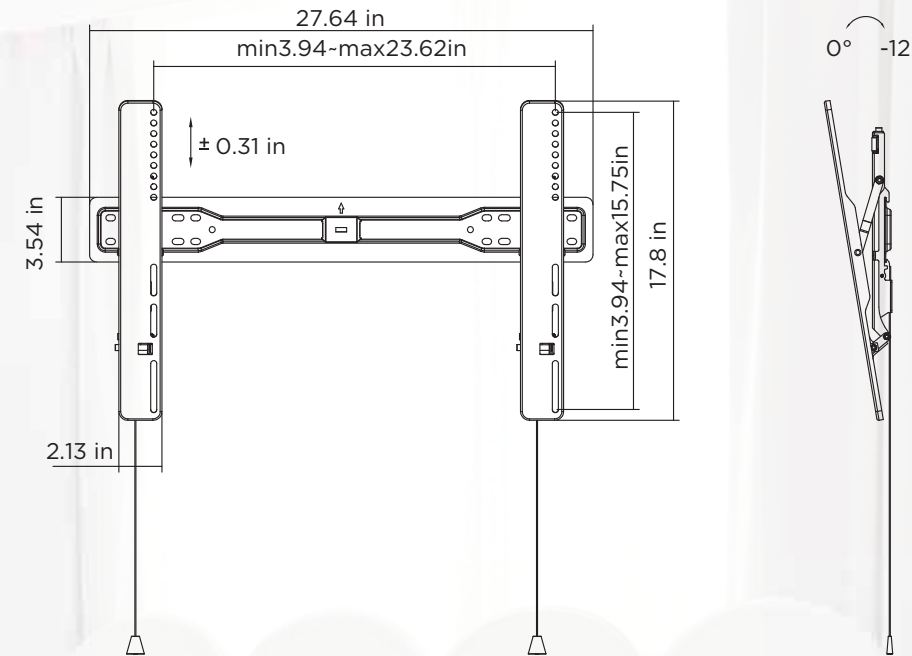
Packing Information

Single Unit [inch]	Master Carton [inch]	QTY/Carton	Weights [lbs]	QTY 20' CONTAINER	QTY 40' CONTAINER
26.6"x8.4"x2.0"	27.2"x13.2"x9.1"	6.0 PCS	7 lbs single / 43 lbs carton	3042 PCS	6312 PCS

Units are packaged in a professional quality box that include all of the necessary installation hardware and easy to follow instructions.

www.starburstmounts.com

Ultra Slim Tilt TV Wall Mount For 37-70" Displays SB-3770UST



SPECIFICATIONS:

TV Size Range	MAX Weight Capacity	Profile to Wall	TILT	Mounting Pattern (Universal VESA)	UL LISTED	Warranty
37-70"	77 lbs	1.2" when flush to wall	+0 / -12 degrees	200x200, 300x200, 300x300 400x200, 400x300, 400x400 600x400	UL LISTED	5 Years

UNIT DIMENSIONS:

Product Width Left to Right	Product Height Top to Bottom	QTY/CARTON	DIMENSIONS OF CARTON BOX	Carton Weight
27.6"	17.7"	1 PC/CTN	30x8x3.25"	9 lbs

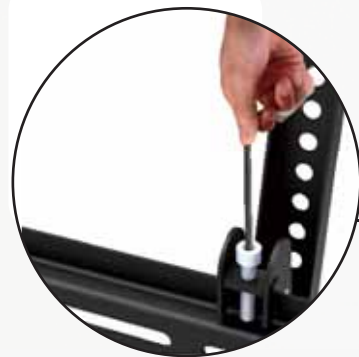
www.starburstmounts.com

Pro Series

Anti Theft Tilt TV Wall Mount

For 37-80" Displays

SB-3780WMT-ANTI THEFT



Preset leveling adjustment allows TV to be perfectly positioned after hanging (Models No. ends with AT)



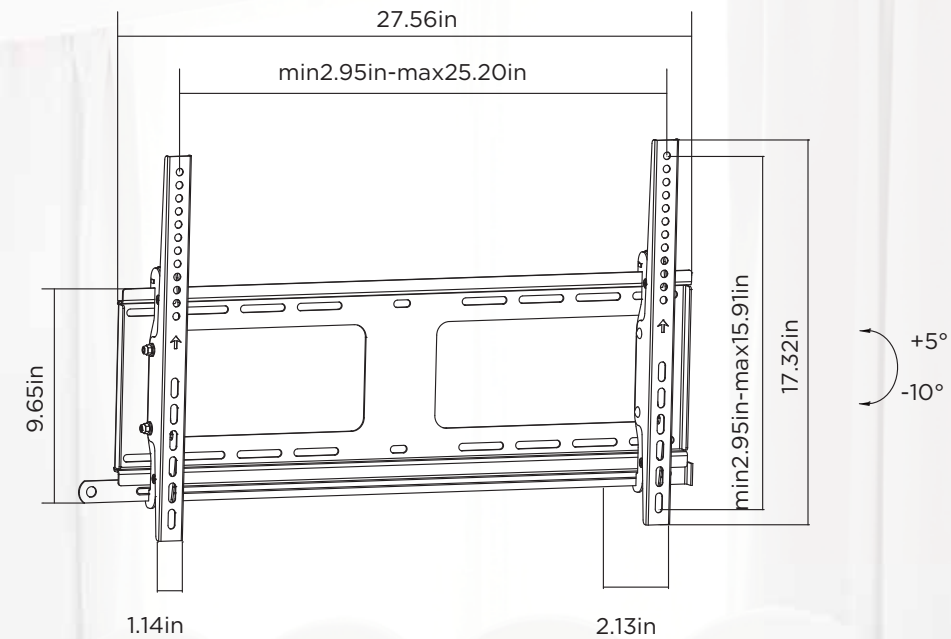
EASY TILT option allows TV angle adjustment



Open architecture provides superior ventilation and easy access for wiring



Locking bar firmly secures



Specifications

Screen Size	Weight Capacity	VESA	Profile to Wall	Tilt Range	Strength Tested
37"-80"	80 kg / 176 lbs	200x200 300x300 400x200 400x400 600x400	54mm/2.13"	+5° - -12°	Four Times

Packing Information

Single Unit [inch]	Master Carton [inch]	QTY/Carton	Weights [lbs]	QTY 20' CONTAINER	QTY 40' CONTAINER
30.8"x9.1"x3.0"	31.7"x10"x9.6"	3.0 PCS	9 lbs single / 29 lbs carton	1,608 PCS	3,339 PCS

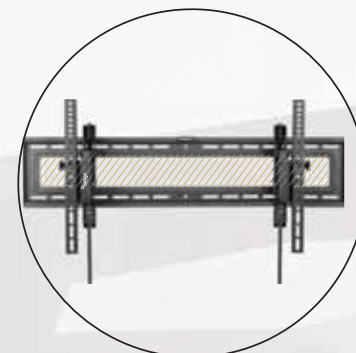
Units are packaged in a professional quality box that include all of the necessary installation hardware and easy to follow instructions.

www.starburstmounts.com

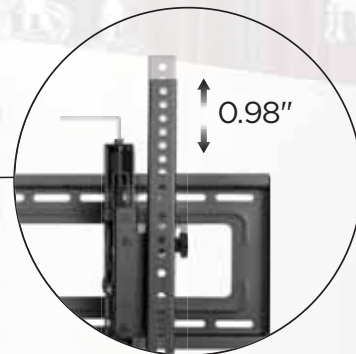
Advanced Extension Tilt TV Wall Mount For 43-90" Displays SB-4390WMT-EXT



Easy-Grip Knobs for quick tilt and lock.



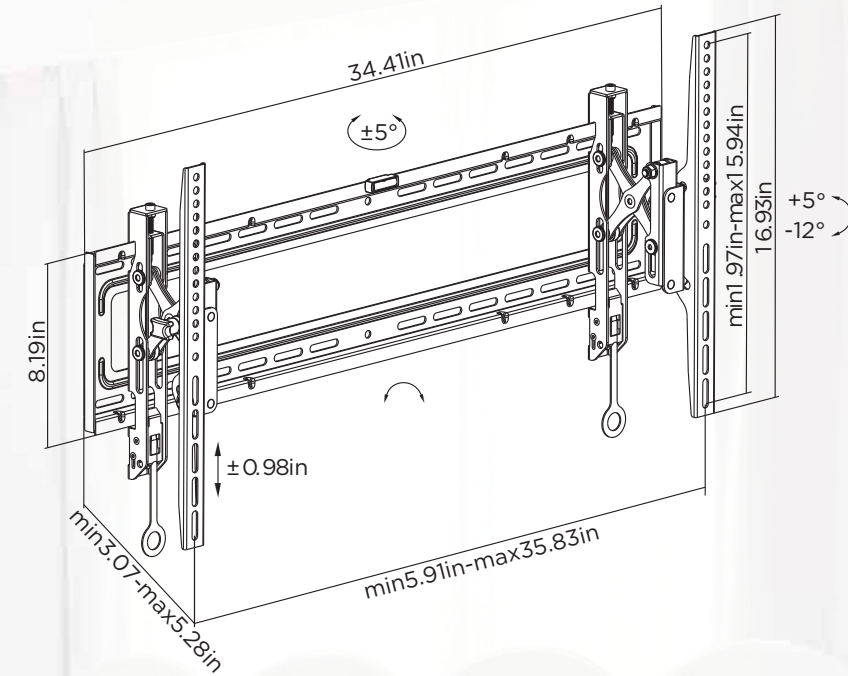
Open Architecture provides increased ventilation and easier access to wires.



Level Micro-Adjustment ensures perfect positioning.



Anti-Theft Design (extra padlock required)



SPECIFICATIONS:

TV Size Range	Mounting Profile	Extension Range	MAX Weight Capacity	MAX VESA	TILT RANGE
43-90"	3.1"	5.3"	154 lbs 4 Times Strength Tested	800x400	+5 / -12 degrees
Swivel Range	Mounting Pattern (Universal VESA)	Post Install Screen Level Adjustment	Hardware Kit	UL LISTED	Warranty
+5 / -5 degrees	200x200, 300x200, 300x300 400x200, 400x300, 400x400 600x400, 800x400	+1" / -1"	Included	UL LISTED	5 Years

UNIT DIMENSIONS:

Product Width Left to Right	Product Height Top to Bottom	Product Depth Min	Product Depth Max	QTY/CARTON	DIMENSIONS OF CARTON BOX	Carton Weight
34.4"	16.9"	3.1"	5.3"	1 PC/CTN	37.25x9.5x4.5"	14 lbs

www.starburstmounts.com

Beast XX-Large Tilt TV Wall Mount For 60-100" Displays SB-60100WMT-XL



XX-Large Heavy-duty Tilt Curved & Flat Panel TV Wall Mount



+15°--15°



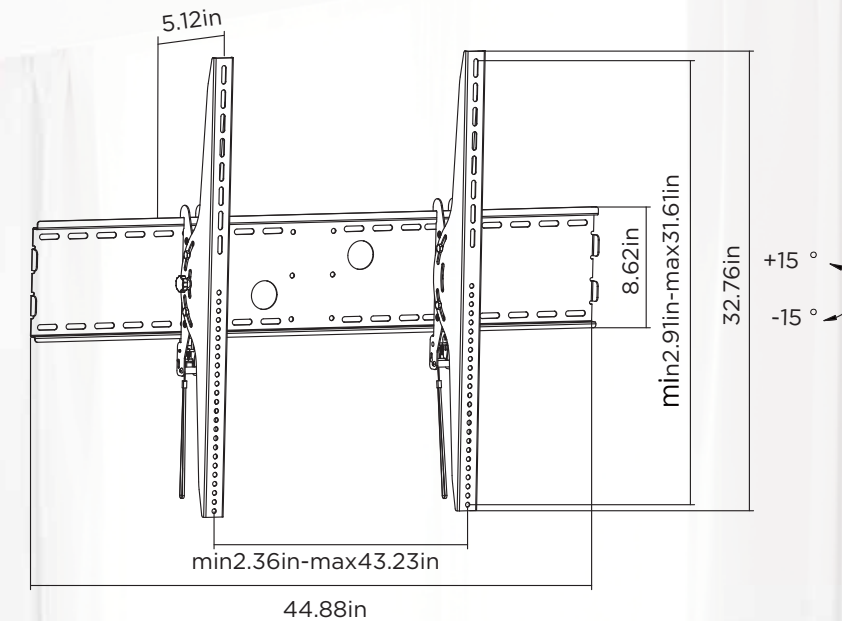
EASY TILT option allows TV angle adjustment



Lateral shift allows TV to slide left and right for perfect placement



Automatically click-in spring lock with easily-release cord



Specifications

Screen Size	Weight Capacity	VESA	Profile to Wall	Strength Tested
60"-100"	100 kg / 220 lbs	200x200 300x300 400x200 400x400 600x400 800x400 800x600 1000x400 1000x600 1000x800	130 mm/ 5.12"	Four Times

Packing Information

Single Unit [inch]	Master Carton [inch]	QTY/Carton	Weights [lbs]	QTY 20' CONTAINER	QTY 40' CONTAINER
46.38"x9.13"x2.68"	47"x6.1"x9.8"	2 PCS	21 lbs single / 43 lbs carton	1,166 PCS	2,418 PCS

Units are packaged in a professional quality box that include all of the necessary installation hardware and easy to follow instructions.

www.starburstmounts.com

Beast XX-Large Tilt TV Wall Mount For 60-100" Displays SB-60100WMT-XL2



Stiffener Design
resists lateral loading



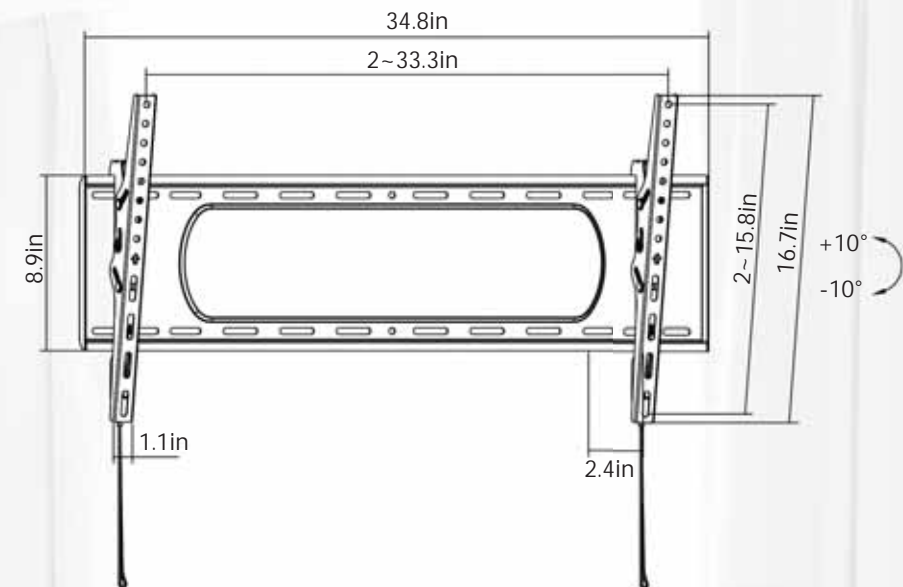
Toolless Tilting
+10° ~-10°

Affordable Heavy-Duty
TV Wall Mounts
firmly hold up to 100" TVs



Quick-Release Spring Lock
easy installation only takes
seconds

www.starburstmounts.com



Specifications



Screen Size	Weight Capacity	VESA	Profile to Wall	Strength Tested
60"-100"	85 kg / 187 lbs	50x50 75x75 100x100 100x150 150x100 100x200 200x100 150x150 200x200 200x300 300x200 200x400 400x200 300x300 300x400 400x300 600x200 400x400 600x300 600x400 700x400 800x400	60 mm / 2.4"	Four Times

Packing Information

Single Unit [inch]	Master Carton [inch]	QTY/Carton	Weights [lbs]	QTY 20' CONTAINER	QTY 40' CONTAINER
35.9" x9.13"x1.57"	36.6"x9.84"x7.09"	4 PCS	9.2 lbs single / 38 lbs carton	2,580 PCS	6,116 PCS

Units are packaged in a professional quality box that include all of the necessary installation hardware and easy to follow instructions.

SWIVEL TILT EXTEND TV WALL MOUNT

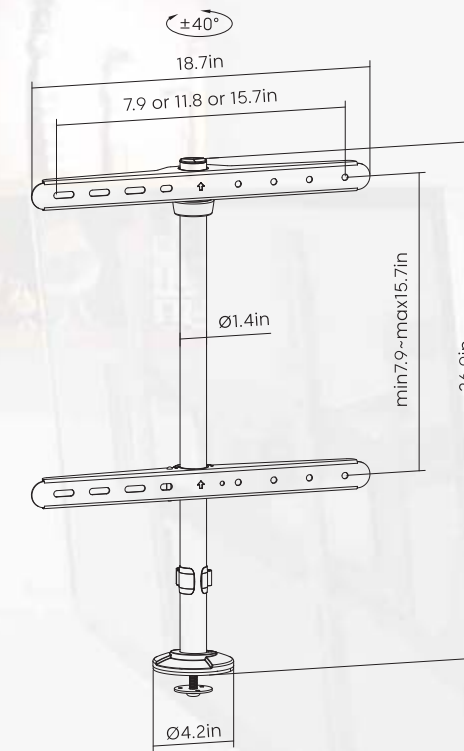


Pro series

DESKTOP SWIVEL TV MOUNT WITH LOCK DOWN

For 32-70" Displays

SB-3270DTL



Specifications

Screen Size	Weight Capacity	VESA	Swivel Range
32"-70"	50 kg / 110 lbs	200x200 300x200 400x200 300x300 400x300 400x400	-40°-+40°

Packing Information

Single Unit [inch]	Master Carton [inch]	QTY/Carton	Weights [lbs]	QTY 20' CONTAINER	QTY 40' CONTAINER
27.9"x4.7"x4.5"	27.9"x4.7"x4.5"	1PC/CTN	5.5 lbs single / 6.6 lbs carton	2750 PCS	6100 PCS

Units are packaged in a professional quality box that include all of the necessary installation hardware and easy to follow instructions.

Pro Series

Elegant Swivel Tilt Extend TV Wall Mount

For 17-40" Displays

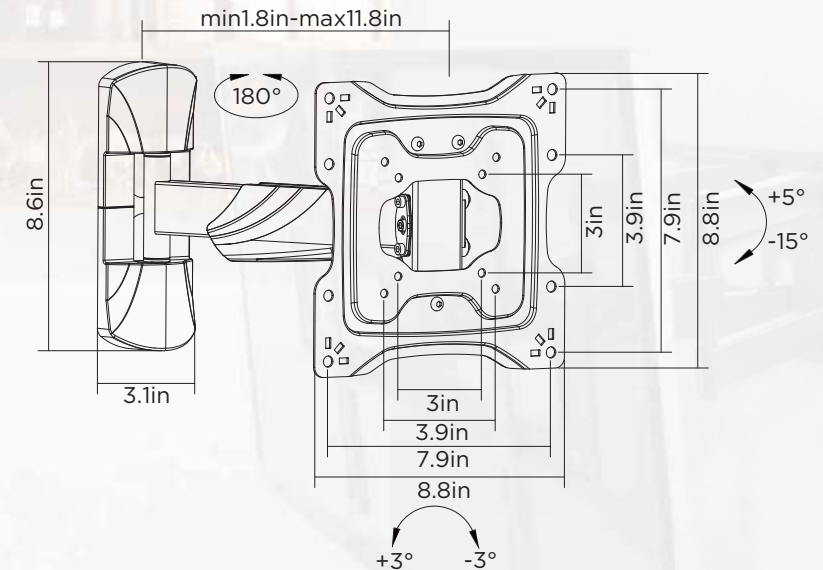
SB-1740PS



Cable Management keeps everything organized

Free-Tilting Design for multiple monitor viewing angles

Cable Management keeps everything organized



Specifications

Screen Size	Weight Capacity	VESA	Profile to Wall	Swivel Range	Strength Tested
17"-40"	35 kg / 77 lbs	75x75 100x100 200x100 200x200	45-300mm/1.8-11.8"	-90°-+90°	Three Times

Packing Information

Single Unit [inch]	Master Carton [inch]	QTY/Carton	Weights [lbs]	QTY 20' CONTAINER	QTY 40' CONTAINER
16.1"x9.1"x2.2"	18.9"x16.9"x9.8"	8 PCS	33 lbs single / 39.16 lbs carton	4,184 PCS	9,920 PCS

Units are packaged in a professional quality box that include all of the necessary installation hardware and easy to follow instructions.

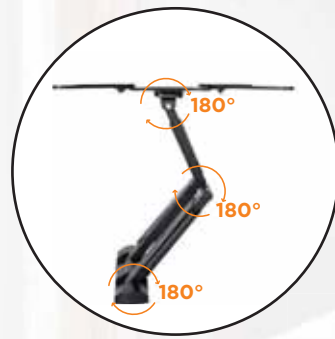
www.starburstmounts.com

Pro Series

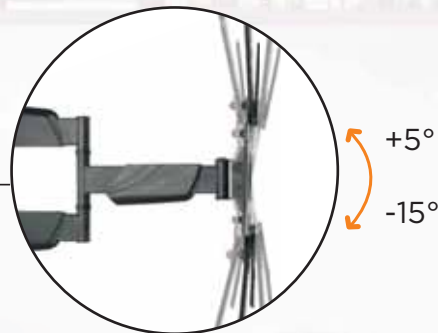
Swivel Tilt Extend TV Wall Mount

For 23-50" Displays

SB-2350ART



Swiveling Arm offers maximum viewing flexibility



EASY TILT option allows TV angle adjustment

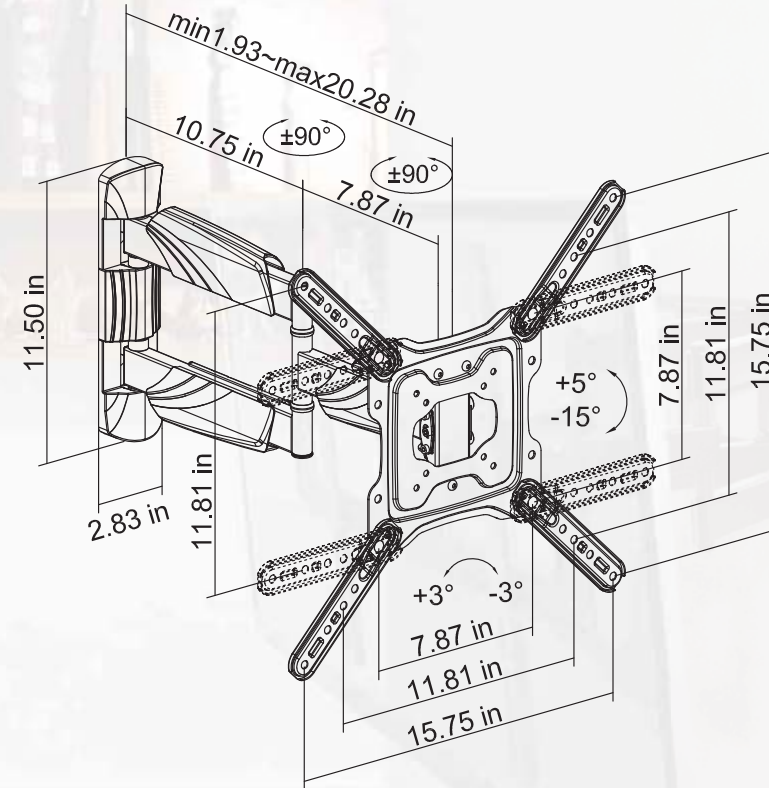


Cable Management keeps everything organized



+3° -3°

Built-In Level Adjustment ensures perfect positioning



Specifications

Screen Size	Weight Capacity	VESA	Profile to Wall	Swivel Range	Strength Tested
23"-50"	35 kg / 77 lbs	75x75 100x100 200x100 200x200 300x200 400x200 300x300 400x300 400x400	49-515mm/1.9-20.3"	-90°-+90°	Four Times

Packing Information

Single Unit [inch]	Master Carton [inch]	QTY/Carton	Weights [lbs]	QTY 20' CONTAINER	QTY 40' CONTAINER
14.17"x10.63"x10.63"	14.76"x11.22"x15.94"	6.0 PCS	7.9 lbs single / 48.4 lbs carton	3,876 PCS	9,006 PCS

Units are packaged in a professional quality box that include all of the necessary installation hardware and easy to follow instructions.

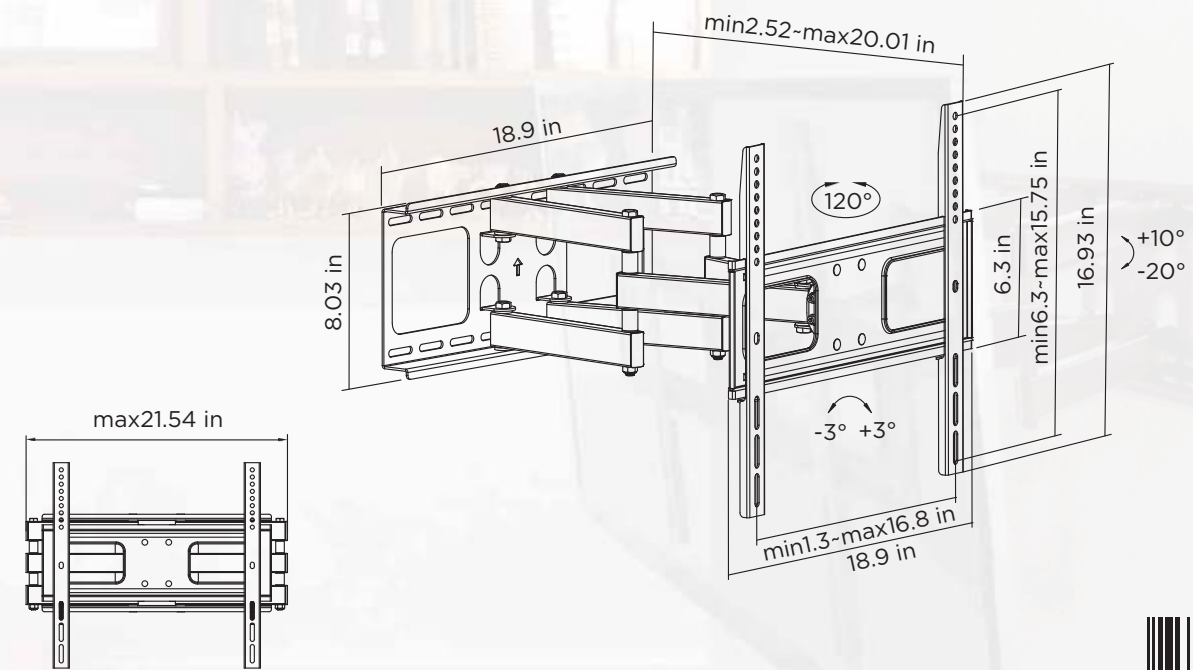
www.starburstmounts.com

Pro Series

Swivel Tilt Extend TV Wall Mount

For 32-60" Displays

SB-3260ART-D



Specifications

Screen Size	Weight Capacity	VESA	Profile to Wall	Swivel Range	Strength Tested
32"-60"	35 kg / 77 lbs	200x200 300x300 400x200 400x400	64-510mm/2.5-20.1"	-60°-+60°	Four Times

Packing Information

Single Unit [inch]	Master Carton [inch]	QTY/Carton	Weights [lbs]	QTY 20' CONTAINER	QTY 40' CONTAINER
22.8"x8.7"x2.8"	23.6"x9.4"x6.3"	2.0 PCS	15.7 lbs single / 33 lbs carton	2346 PCS	4868 PCS

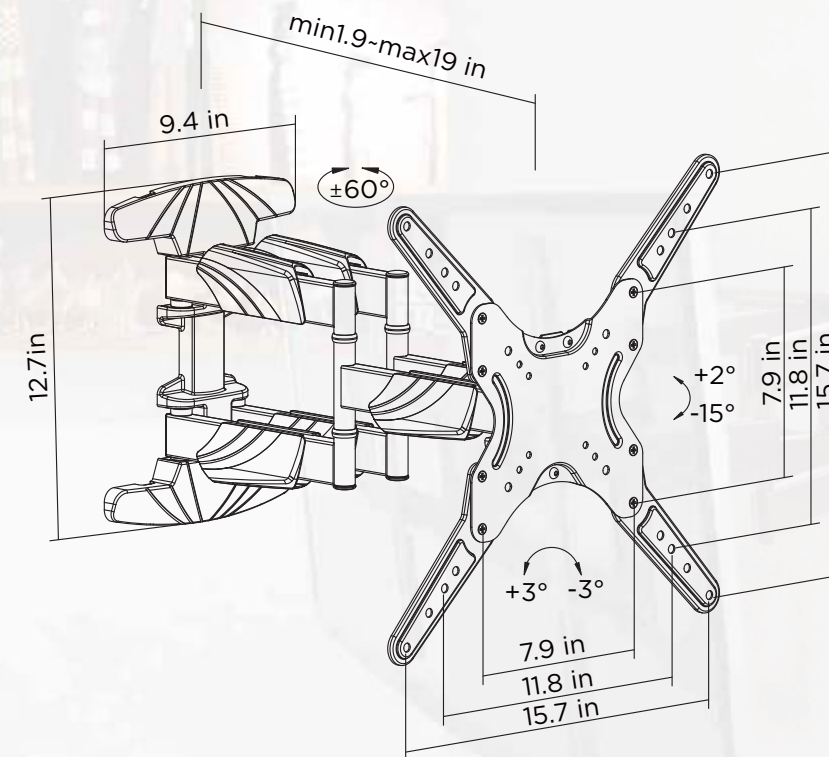
Units are packaged in a professional quality box that include all of the necessary installation hardware and easy to follow instructions.

Pro Series

Swivel Tilt Extend TV Wall Mount

For 32-65" Displays

SB-3265ART-D



Specifications

Screen Size	Weight Capacity	VESA	Profile to Wall	Swivel Range	Strength Tested
32"-65"	45 kg / 99 lbs	200x100 200x200 300x200 400x200 300x300 400x300 400x400	49-482mm/1.9-19"	-60°-+60°	Three Times

Packing Information

Single Unit [inch]	Master Carton [inch]	QTY/Carton	Weights [lbs]	QTY 20' CONTAINER	QTY 40' CONTAINER
22.6"x13.6"x2.2"	23.2"x7.9"x14.4"	3.0 PCS	11.8 lbs single / 37.1 lbs carton	1878 PCS	3897 PCS

Units are packaged in a professional quality box that include all of the necessary installation hardware and easy to follow instructions.

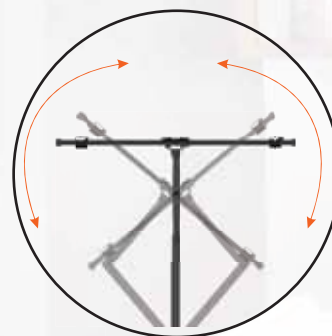
www.starburstmounts.com

Pro Series

Swivel Tilt Extend TV Wall Mount

For 37-60" Displays

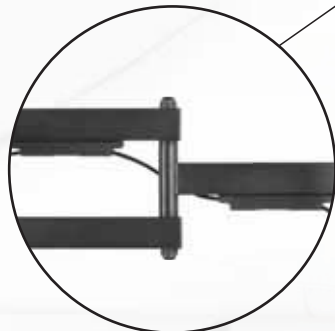
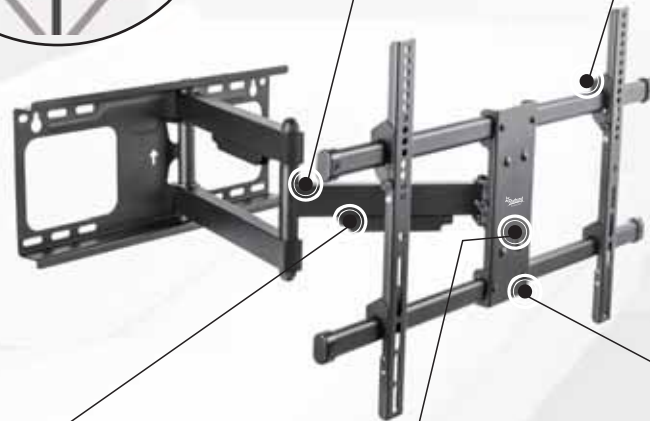
SB-3760ART



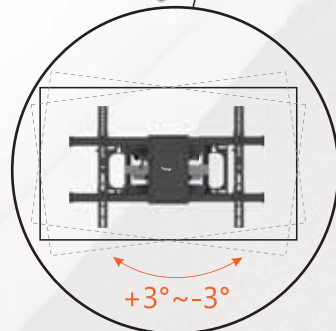
Swiveling arm offer maximum viewing flexibility



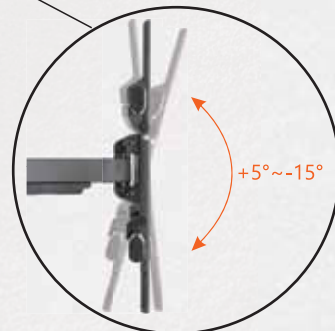
Quick lock and release system holds TV in place with no tools required



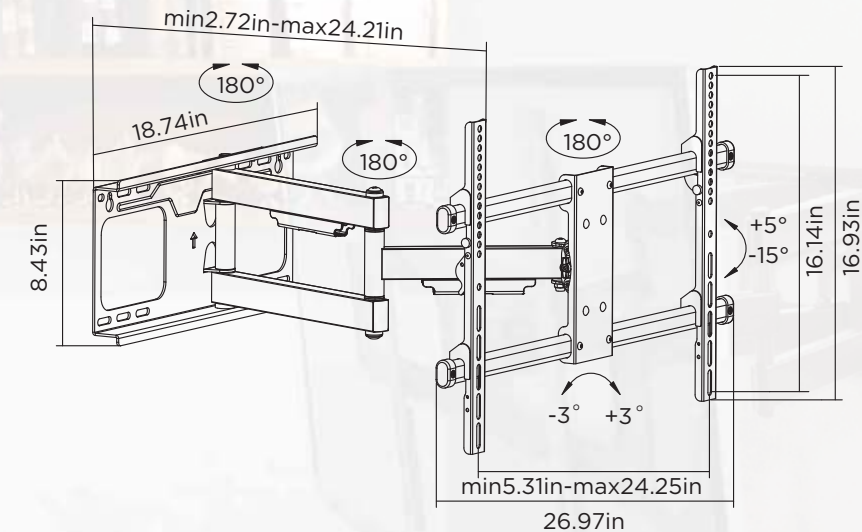
Integrated cable management keeps cables neatly organized



Built-in level adjustment ensures perfect positioning



EASY TILT option allows TV angle adjustment



Specifications

Screen Size	Weight Capacity	VESA	Profile to Wall	Swivel Range	Strength Tested
37"-60"	50 kg / 110 lbs	200x200 300x300 400x200 400x400 600x400	69-615mm/2.7-24.2"	+90° - -90°	Four Times

Packing Information

Single Unit [inch]	Master Carton [inch]	QTY/Carton	Weights [lbs]	QTY 20' CONTAINER	QTY 40' CONTAINER
28.3"x11.3"x2.9"	28.9"x12"x6.3"	2.0 PCS	17 lbs single / 35 lbs carton	1504 PCS	3118 PCS

Units are packaged in a professional quality box that include all of the necessary installation hardware and easy to follow instructions.

www.starburstmounts.com

Pro Series

Swivel Tilt Extend TV Wall Mount

For 37-65" Displays

SB-3765ART-D



EASY TILT option allows TV angle adjustment

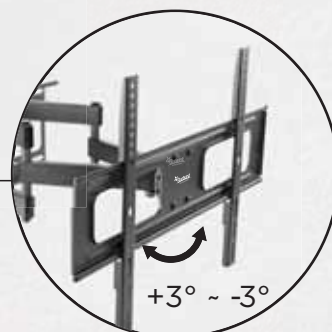


EASY TILT option allows TV angle adjustment



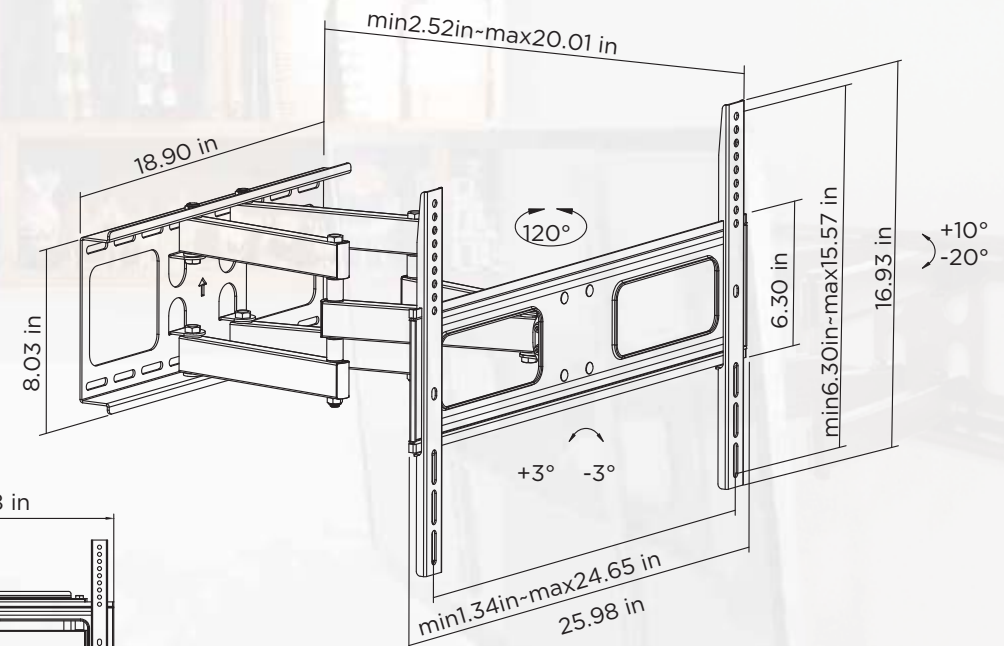
+60° ~ -60° Swivel

Swiveling arm offer maximum viewing flexibility



+3° ~ -3°

Built-in screen Level adjustment



Specifications

Screen Size	Weight Capacity	VESA	Profile to Wall	Swivel Range	Strength Tested
37"-65"	41 kg / 90 lbs	200x200 300x300 400x200 400x400 600x400	64-510mm/2.5-20.1"	-60°-+60°	Four Times

Packing Information

Single Unit [inch]	Master Carton [inch]	QTY/Carton	Weights [lbs]	QTY 20' CONTAINER	QTY 40' CONTAINER
29"x9"x3"	29"x10"x7"	2.0 PCS	17 lbs single / 35 lbs carton	1956 PCS	4056 PCS

Units are packaged in a professional quality box that include all of the necessary installation hardware and easy to follow instructions.

www.starburstmounts.com

Pro Series

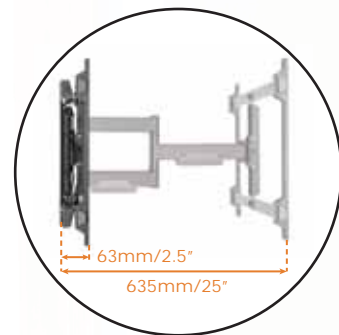
Modern Design Full-Motion TV Mount



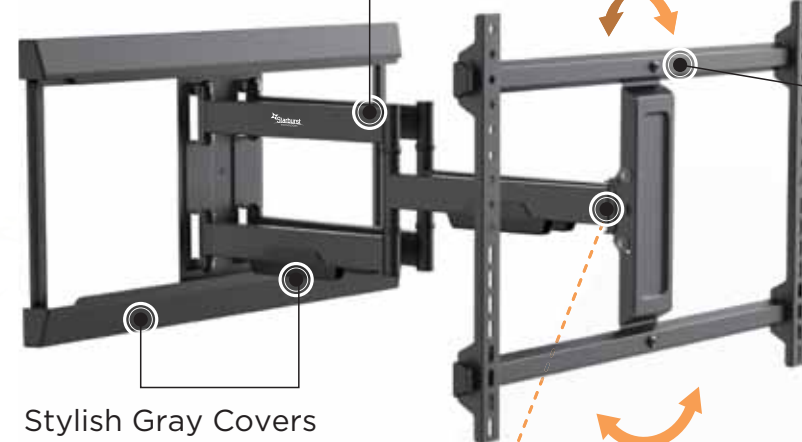
For 43-85" Displays

Compatible with 16" and 24" stud spacing

SB-4385ART-1624



Smooth Moving with Ample Range provides perfect positioning experience



Stylish Gray Covers for both aesthetics and cable management

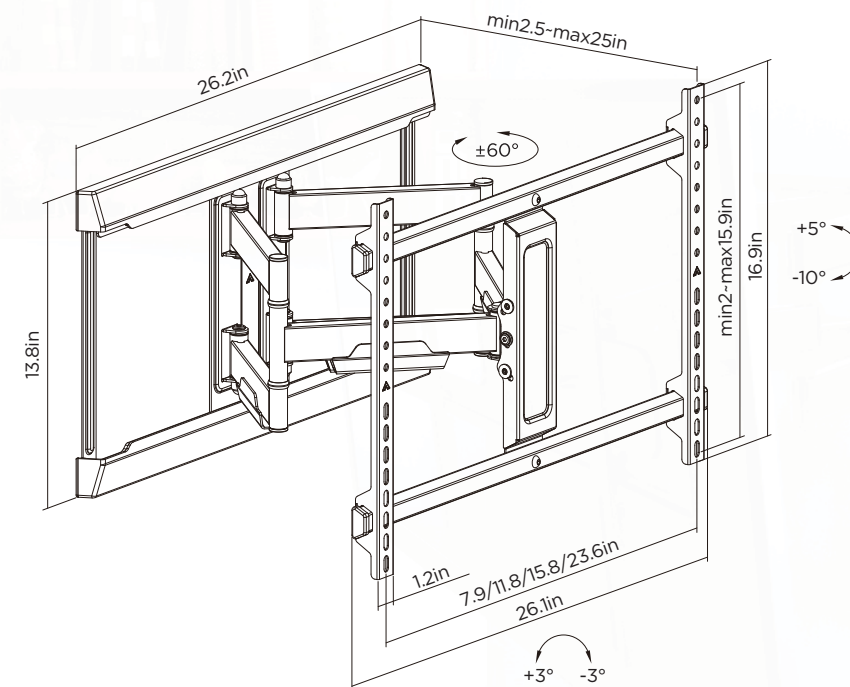
Enhanced Counterbalance of Tilting makes positioning smoother and stabler

+5° ~ -10°
Tilt

+3° ~ -3°
Screen Level

+60° ~ -60°
Swivel

Detachable Panel hang or remove TV effortlessly



Specifications

Screen Size	Weight Capacity	VESA	Profile to Wall	Swivel Range	Strength Tested
43"-85"	50 kg / 110 lbs	200x100 200x200 300x200 400x200 300x300 400x300 400x400 600x400	63-635mm/2.5-25"	+60° - -60°	Four Times

Packing Information

Single Unit [inch]	Master Carton [inch]	QTY/Carton	Weights [lbs]	QTY 20' CONTAINER	QTY 40' CONTAINER
28.9"x18.8"x2.8"	29.4"x20.2"x3.3"	1 PC/CTN	18.5 lbs single / 23 lbs carton	846 PCS	2,008 PCS

Units are packaged in a professional quality box that include all of the necessary installation hardware and easy to follow instructions.

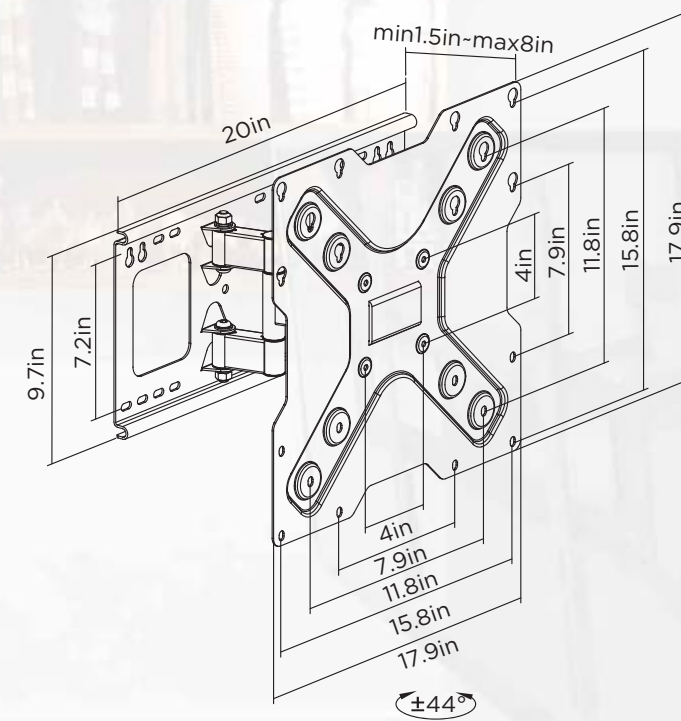
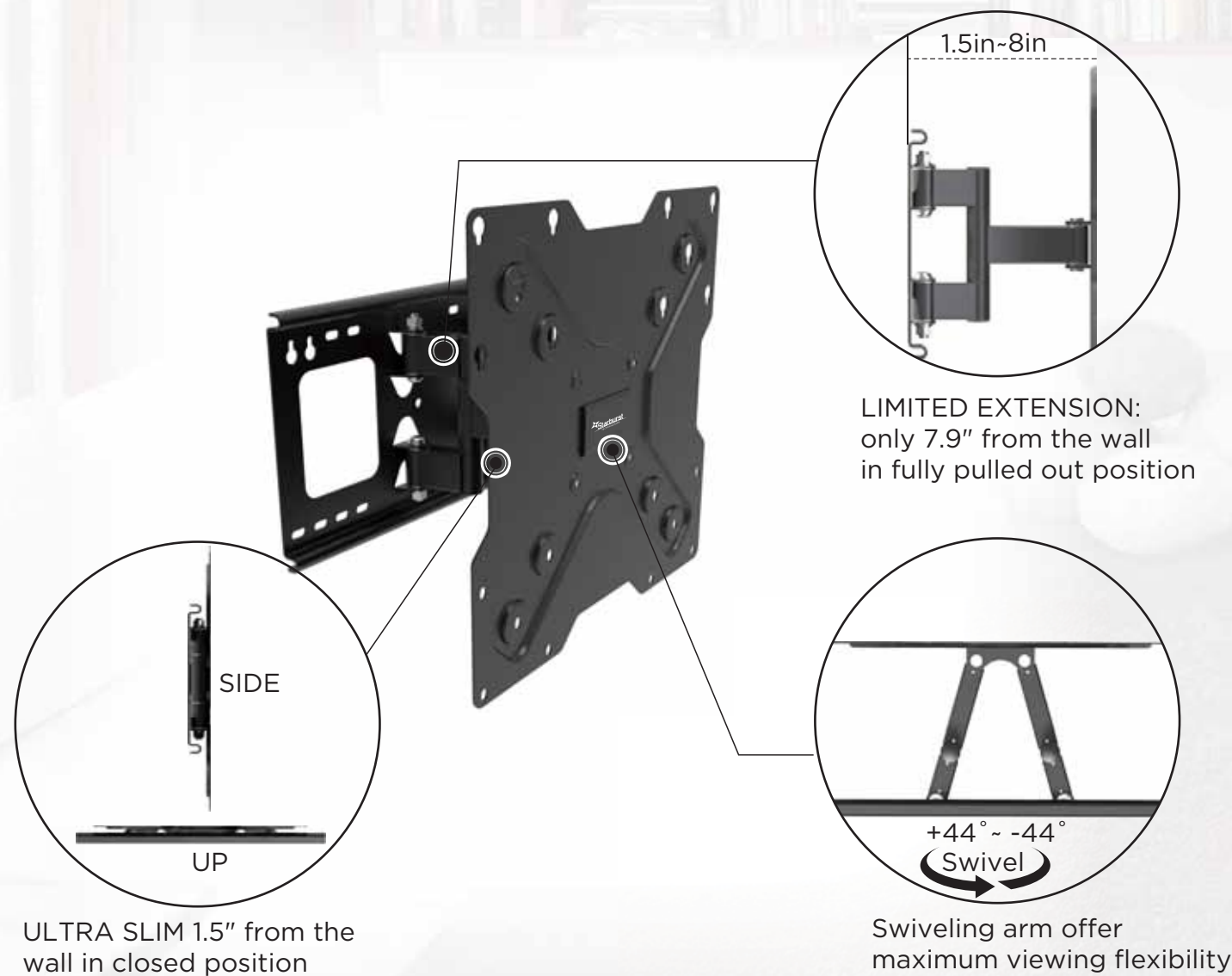
www.starburstmounts.com

Pivot Swivel

Ultra Slim TV Wall Mount

For 32-75" Displays

SB-3275PS-US



Specifications

Screen Size	Weight Capacity	VESA	Profile to Wall	Swivel Range	Strength Tested
32"-75"	57 kg / 125 lbs	100x100 200x200 300x300 400x200 400x400	38-203mm/1.5"-8.0"	+44° - -44°	Four Times

Packing Information

Single Unit [inch]	Master Carton [inch]	QTY/Carton	Weights [lbs]	QTY 20' CONTAINER	QTY 40' CONTAINER
22"x20"x3"	23"x21"x5"	2.0 PCS	20 lbs single / 41 lbs carton	1550 PCS	3218 PCS

Units are packaged in a professional quality box that include all of the necessary installation hardware and easy to follow instructions.

www.starburstmounts.com

Premium Fluid Motion

Swivel Tilt Extend TV Wall Mount

For 37-90" Displays

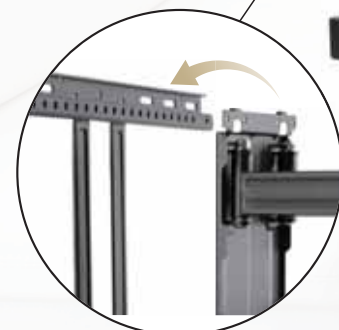
SB-3790ART-FM



Lateral shift Deals with off-center Studs.



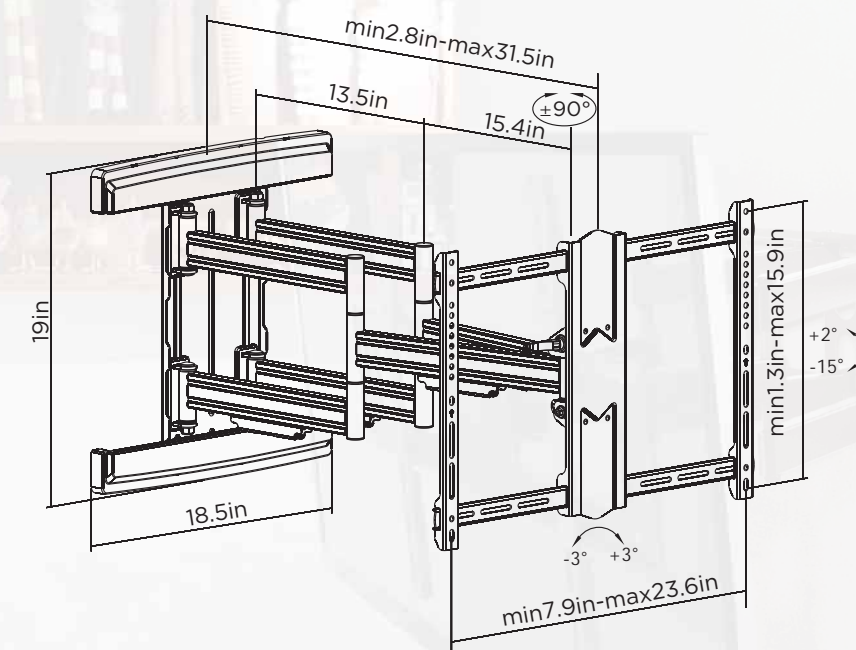
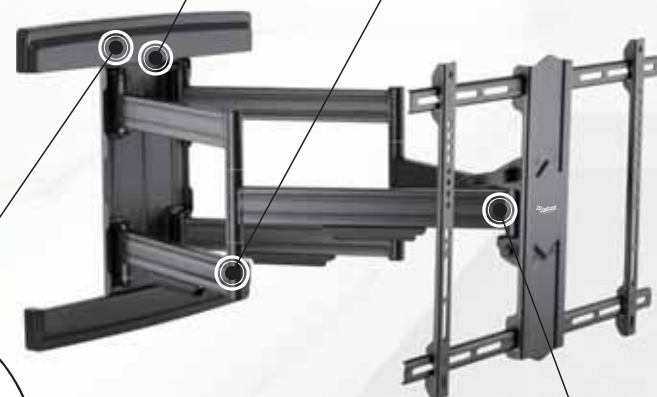
Fluid Motion with Finger Touch.



Detachable Wall Plate Ensures Easy Assembly.



Detachable VESA Plate for Quick Assembly.



Specifications:

TV Size Range	MAX Weight Capacity	Mounting Pattern (Universal VESA)	Mounting Profile	Extension Range	
37-90"	132 lbs 4 Times Strength Tested	200x100, 200x200, 300x200 300x300, 400x200, 400x300 400x400, 600x400	2.8"	31.5"	
TILT RANGE	Swivel Range	Post Install Screen Level Adjustment	Hardware Kit	UL LISTED	Warranty
+2 / -15 degrees	+90 / -90 degrees	+3 / -3 degrees	Included	UL LISTED	5 Years

UNIT DIMENSIONS:

Product Width Left to Right	Product Height Top to Bottom	Product Depth Min	Product Depth Max	QTY/CARTON	DIMENSIONS OF CARTON BOX	Carton Weight
25.6"	19"	2.8"	31.5"	1 PC/CTN	38x24x4.5"	43 lbs

www.starburstmounts.com

Premium Fluid Motion with STB

Swivel Tilt Extend TV Wall Mount Built-In Media Box Enclosure

For 32-70" Displays

SB-3270ART-FM-STB



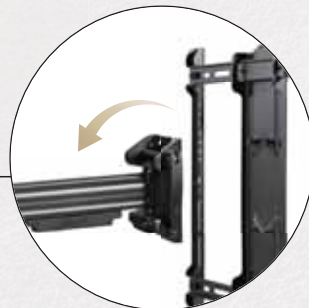
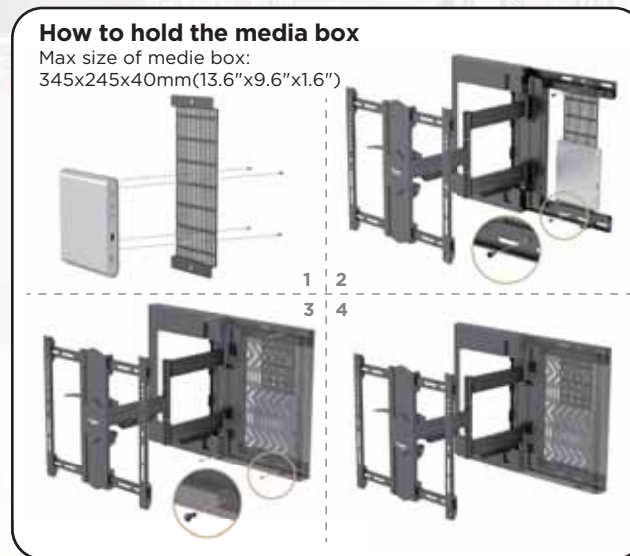
Compatible slotted STB attachment plate.



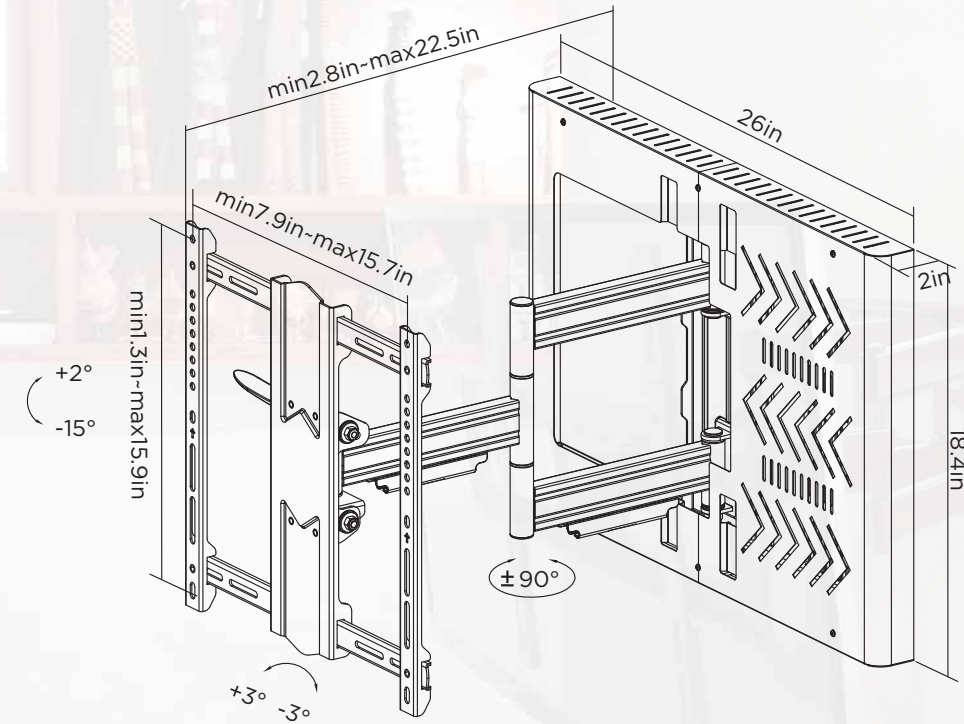
Fluid Motion ouch.



Detachable Wall Plate Ensures Easy Assembly.



Detachable VESA Plate for Quick Assembly.



Specifications:

TV Size Range	MAX Weight Capacity	Mounting Pattern (Universal VESA)	Mounting Profile	Extension Range	
32-70"	50 kg / 110 lbs	200x100,200x200,300x200 300x300,400x200,400x300 400x400	2.8"	22.5"	
TILT RANGE	Swivel Range	Post Install Screen Level Adjustment	Hardware Kit	UL LISTED	Warranty
+2 / -15 degrees	+90 / -90 degrees	+3 / -3 degrees	Included	UL LISTED	5 Years

UNIT DIMENSIONS:

Product Width Left to Right	Product Height Top to Bottom	Product Depth Min	Product Depth Max	QTY/CARTON	DIMENSIONS OF CARTON BOX	Carton Weight
26"	18.4"	2.8"	22.5"	1 PC/CTN	30.1x21.7x4.5"	37.2 lbs

Units are packaged in a professional quality box that include all of the necessary installation hardware and easy to follow instructions.

Beast XX-Large

Swivel Tilt Extend TV Wall Mount

For 60-100" Displays

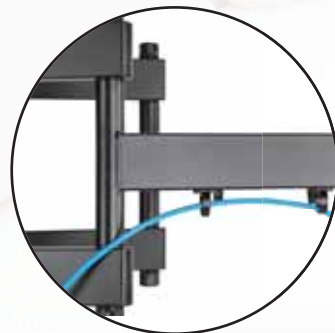
SB-60100ART-XL



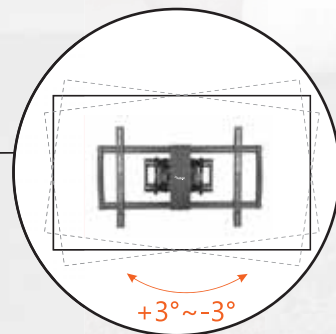
Profile: 70-625mm



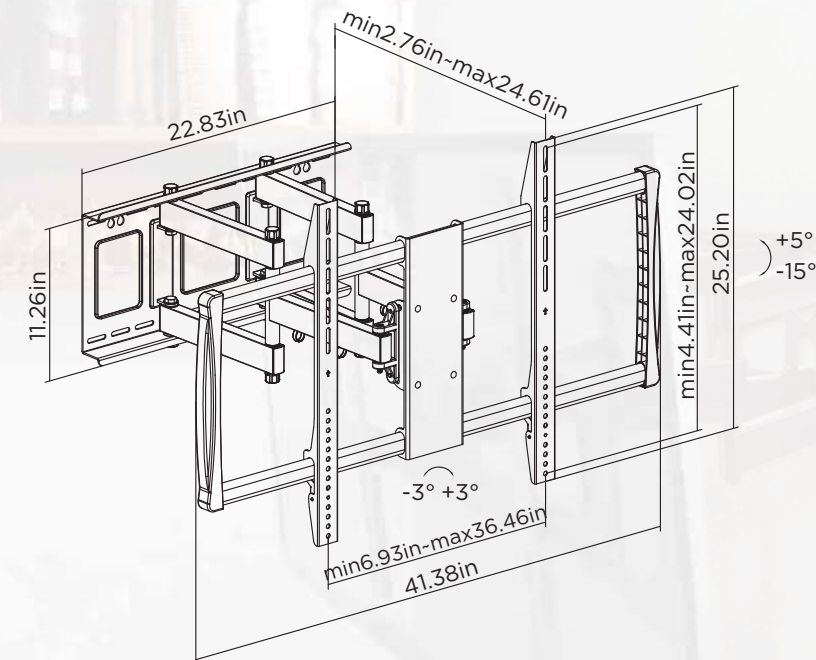
EASY TILT option allows TV angle adjustment



Cable Management keeps everything organized



Built-in level adjustment ensures perfect positioning



Specifications

Screen Size	Weight Capacity	VESA	Profile to Wall	Swivel Range	Strength Tested
60"-100"	80 kg / 176 lbs	200x200 300x300 400x200 400x400 600x400 800x400 800x600 900x600	70-625mm/2.8"-24.6"	+45°--45°	Four Times

Packing Information

Single Unit [inch]	Master Carton [inch]	QTY/Carton	Weights [lbs]	QTY 20' CONTAINER	QTY 40' CONTAINER
45.87"x3.15"x22.05"	46.5"x3.7"x22.8"	1.0 PCS	36 lbs single / 39 lbs carton	415 PCS	861 PCS

Units are packaged in a professional quality box that include all of the necessary installation hardware and easy to follow instructions.



ECO SERIES

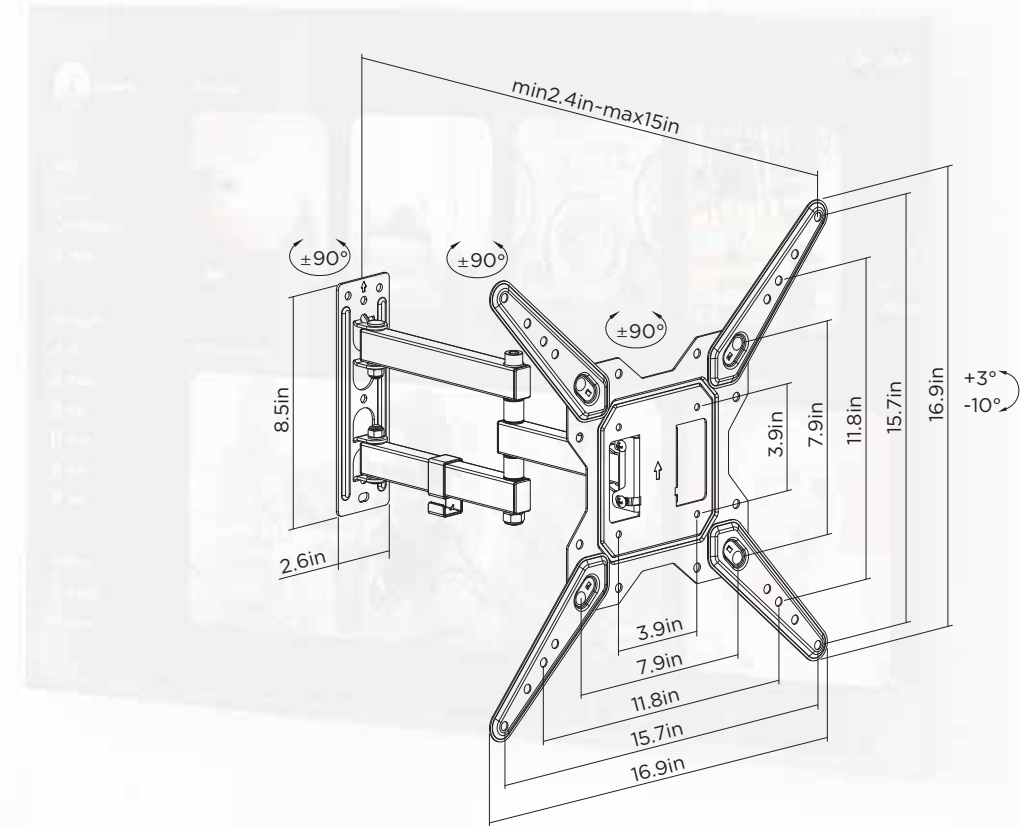


ECO Series

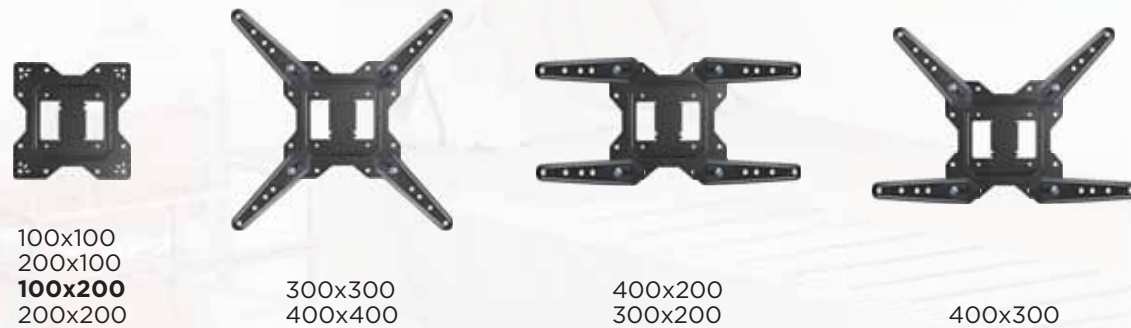
Economical Full-Motion TV Wall Mount

For 23-55" Displays

SB-E2355ART



100X100 - 400X400 VESA Range
 (100x200 VESA compatible with 43" SONY® TVs)



Specifications

Screen Size	Weight Capacity	VESA	Profile to Wall	Swivel Range	Strength Tested
23"-55"	30 kg / 66 lbs	100x100 100x200 200x100 200x200 300x200 400x200 300x300 400x300 400x400	60-382mm/2.4-15"	-90°-+90°	Three Times

Packing Information

Single Unit [inch]	Master Carton [inch]	QTY/Carton	Weights [lbs]	QTY 20' CONTAINER	QTY 40' CONTAINER
11"x10.2"x2.8"	21.3"x11.2"x9.4"	6 PCS	28.6 lbs single / 32.912 lbs carton	736 PCS	1,746 PCS

Units are packaged in a professional quality box that include all of the necessary installation hardware and easy to follow instructions.

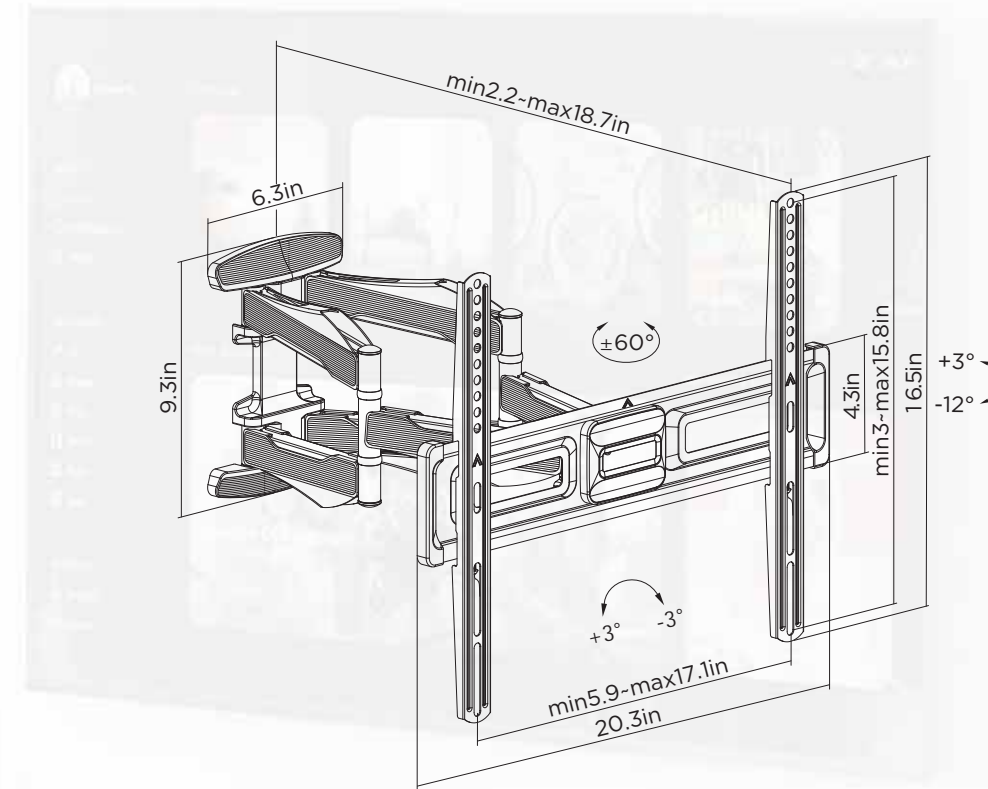
www.starburstmounts.com

ECO Series

Stylish Full-Motion TV Wall Mount

For 37-70" Displays

SB-E3770ART-D



Specifications

Screen Size	Weight Capacity	VESA	Profile to Wall	Swivel Range	Strength Tested
32"-70"	45 kg / 99 lbs	150x100 200x100 150x150 200x200 200x300 300x200 200x400 400x200 300x300 300x400, 400x300, 400x400	55-475mm/2.2-18.7"	-60°-+60°	Three Times

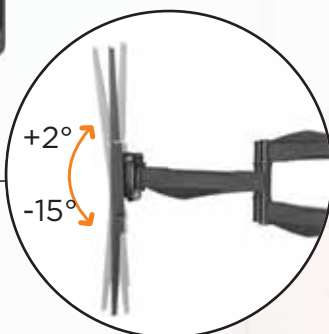
Packing Information

Single Unit [inch]	Master Carton [inch]	QTY/Carton	Weights [lbs]	QTY 20' CONTAINER	QTY 40' CONTAINER
21.9"x10.4"x2.6"	22.4"x11"x3.3"	1 PC/CTN	8,624 lbs single / 10,648 lbs carton	1,990 PCS	4,716 PCS

Units are packaged in a professional quality box that include all of the necessary installation hardware and easy to follow instructions.



Decorative Cover hides screws for a clean and neat look



EASY TILT option allows TV angle adjustment



Cable Management keeps everything organized

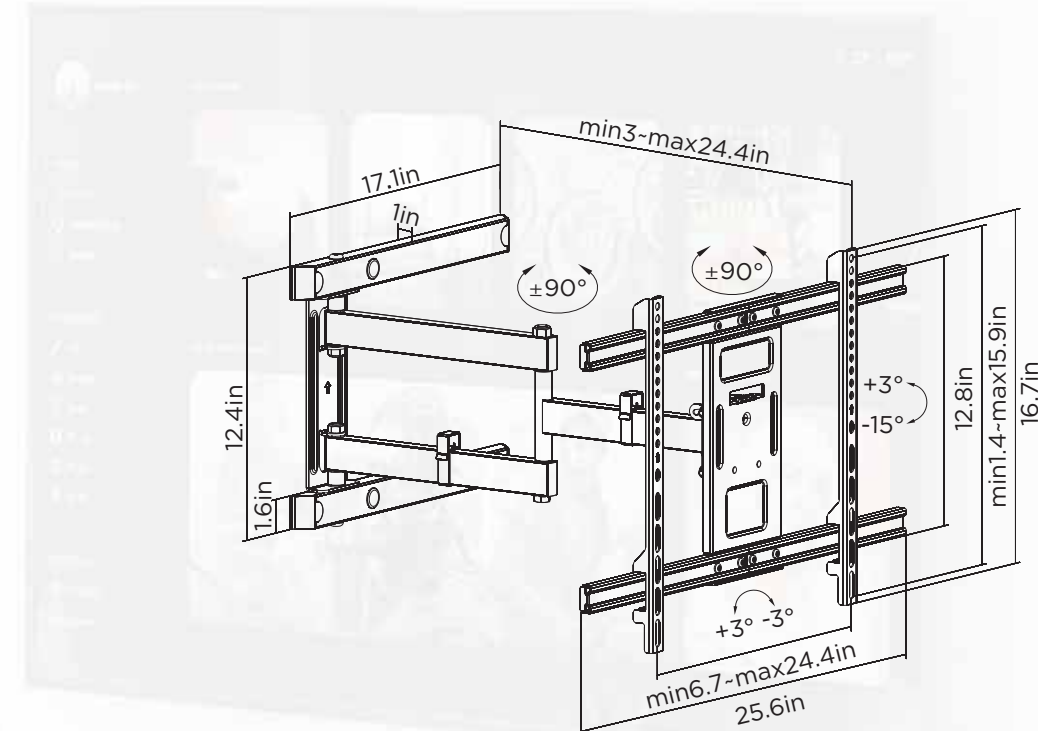
www.starburstmounts.com

ECO Series

Beauty On The Wall Full-Motion TV Wall Mount

For 37-70" Displays

SB-E3770CFM



Specifications

Screen Size	Weight Capacity	VESA	Profile to Wall	Swivel Range	Strength Tested
37"-70"	50 kg / 110 lbs	200x200 300x200 400x200 300x300 400x300 400x400 600x400	76-620mm/3-24.4"	+90° - -90°	Three Times

Packing Information

Single Unit [inch]	Master Carton [inch]	QTY/Carton	Weights [lbs]	QTY 20' CONTAINER	QTY 40' CONTAINER
17.4"x13.7"x3.3"	17.9"x14.2"x3.9"	1 PC/CTN	16.214 lbs single / 18.04 lbs carton	1,648 PCS	3,906 PCS

Units are packaged in a professional quality box that include all of the necessary installation hardware and easy to follow instructions.



Cable Management keeps everything organized

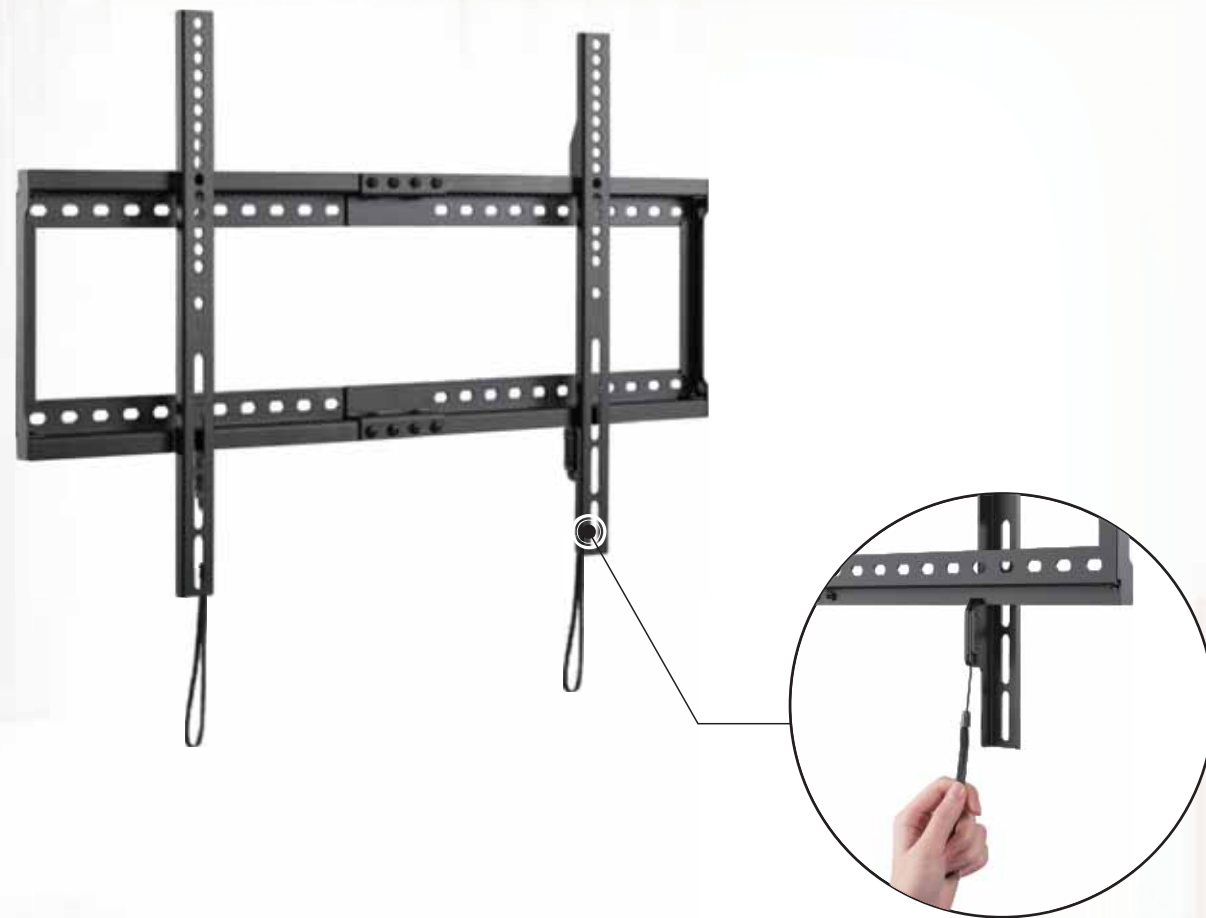
www.starburstmounts.com

ECO Series

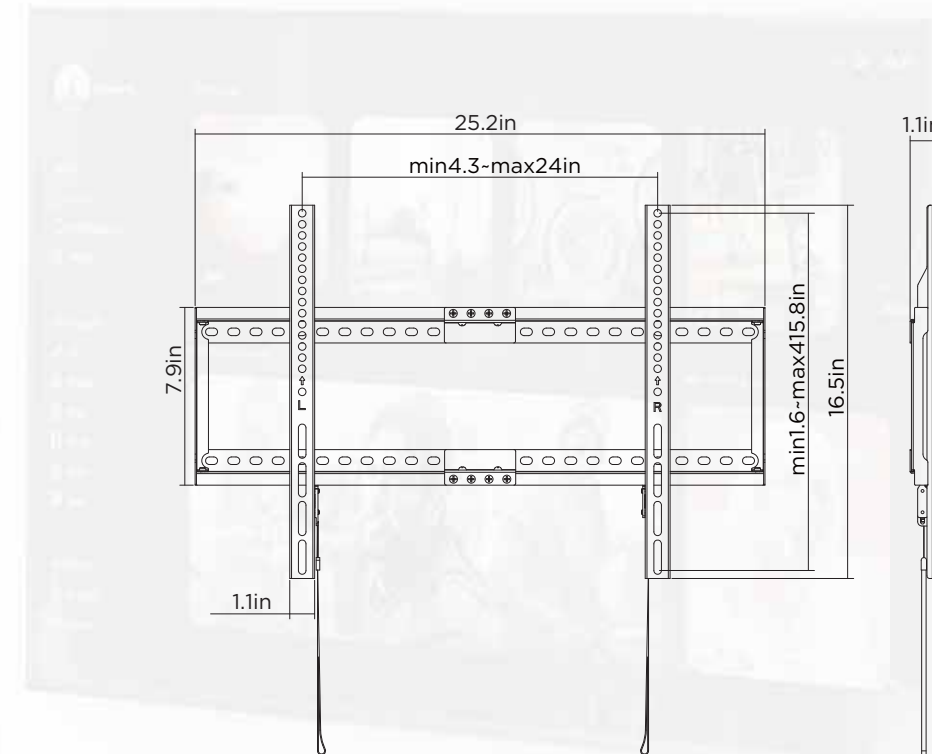
Fixed TV Wall Mount

For 43-85" Displays

SB-E4385WM



Spring Locks with Release Straps for easy TV installation and removal



Specifications

Screen Size	Weight Capacity	VESA	Profile to Wall	Strength Tested
43"-85"	75 kg / 165 lbs	150x100 200x100 150x150 200x200 300x200 200x400 400x200 300x300 400x300 600x200 350x350 400x400 600x300 600x400	28mm/1.1"	Three Times

Packing Information

Single Unit [inch]	Master Carton [inch]	QTY/Carton	Weights [lbs]	QTY 20' CONTAINER	QTY 40' CONTAINER
18.0"x8.1"x1.9"	18.7"x17.1"x10.4"	10 PCS	36.3 lbs single / 43.78 lbs carton	492 PCS	1,168 PCS

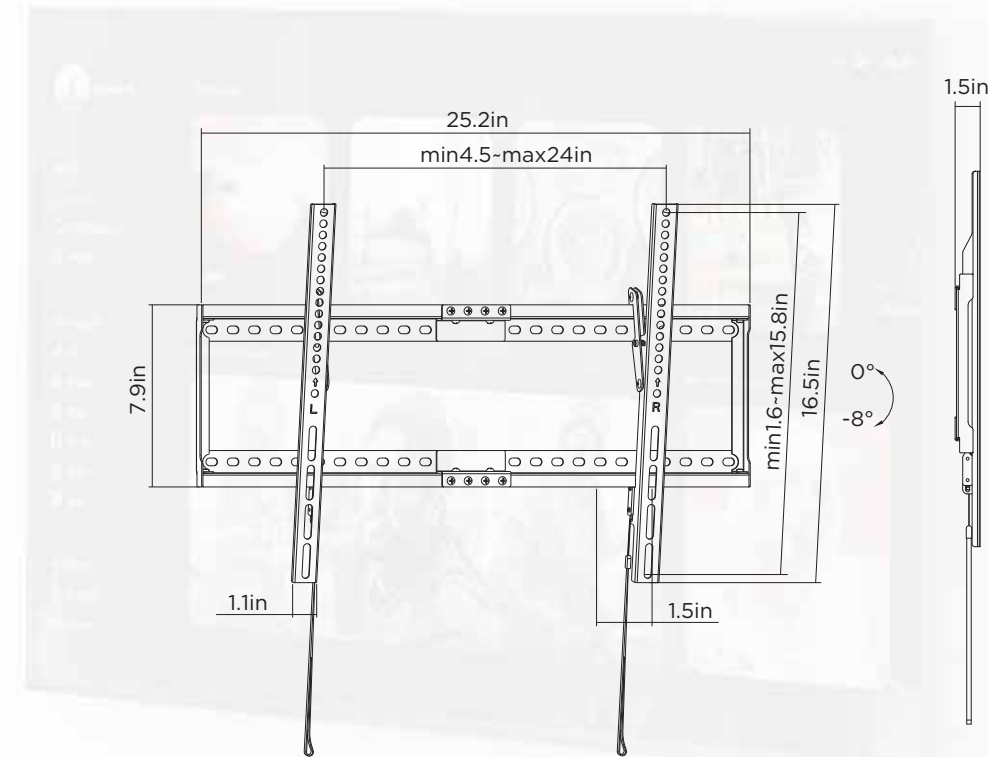
Units are packaged in a professional quality box that include all of the necessary installation hardware and easy to follow instructions.

ECO Series Tilt TV Wall Mount For 43-85" Displays SB-E4385WMT



Free-Tilting Design
for a better viewing experience

Spring Locks with Release Straps
for easy TV installation and removal



Specifications

Screen Size	Weight Capacity	VESA	Profile to Wall	Tilt Range	Strength Tested
43"-85"	75 kg / 165 lbs	150x100 200x100 150x150 200x200 300x200 200x400 400x200 300x300 400x300 600x200 350x350 400x400 600x300 600x400	37mm/1.5"	-8° - 0°	Three Times

Packing Information

Single Unit [inch]	Master Carton [inch]	QTY/Carton	Weights [lbs]	QTY 20' CONTAINER	QTY 40' CONTAINER
18.0"x8.1"x1.9"	18.7"x17.1"x10.4"	10 PCS	40.7 lbs single / 46.64 lbs carton	492 PCS	1,168 PCS

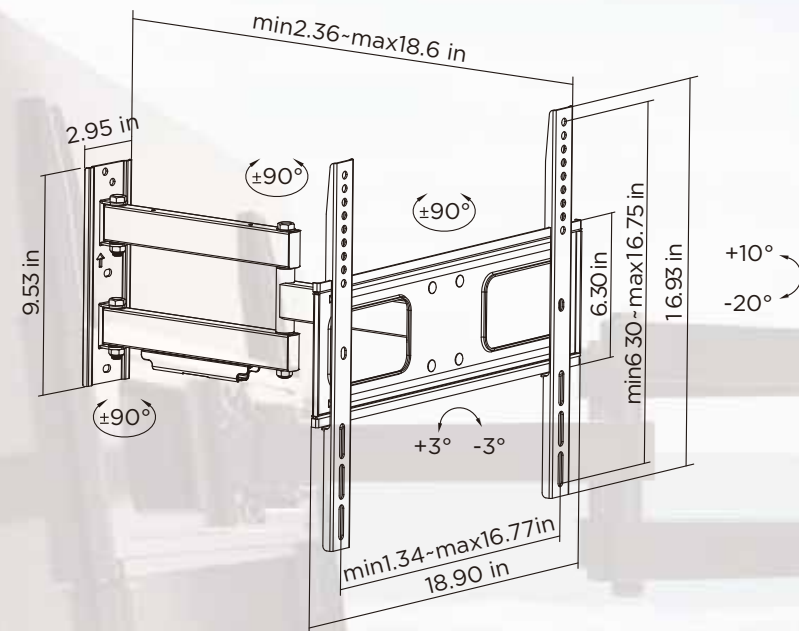
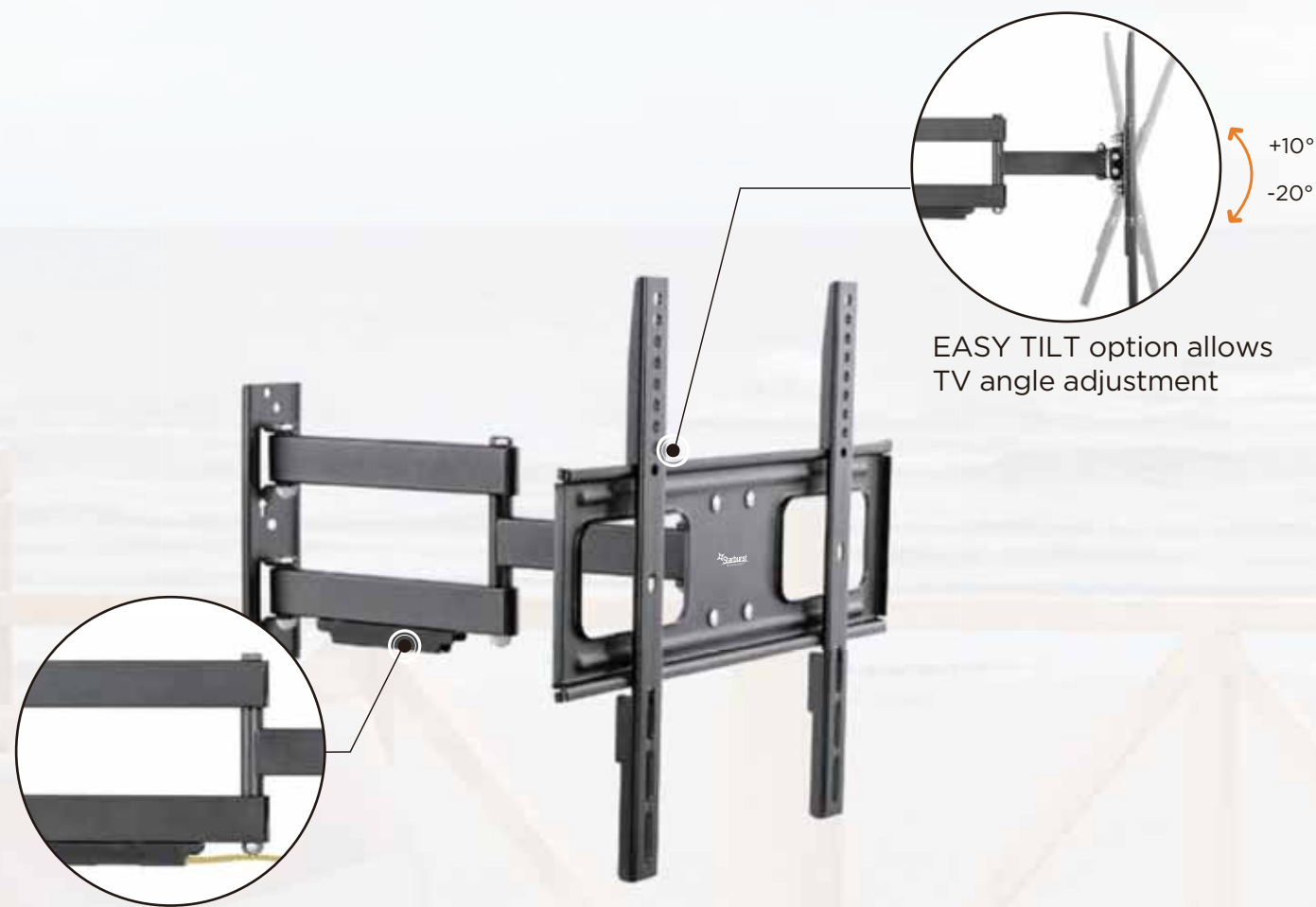
Units are packaged in a professional quality box that include all of the necessary installation hardware and easy to follow instructions.



OUTDOOR WEATHERPROOF TV WALL MOUNT



Outdoor Weatherproof TV Wall Mount For 32-60" Displays SB-3260ART-W



Specifications

Screen Size	Weight Capacity	VESA	Profile to Wall	Swivel Range	Strength Tested
32"-60"	50kg/110lbs	200x200 300x200 300x300 400x200 400x300 400x400	60-473mm/2.4"-18.6"	+90° - -90°	Three Times

Packing Information

Single Unit [Inch]	Master Carton [Inch]	QTY/Carton	Weights [lbs]	QTY 20' CONTAINER	QTY 40' CONTAINER
20.47 "x10.63"x2.56 "	21.3"x11.2"x11.2"	4.0 PCS	9 lbs single / 39 lbs carton	2460 PCS	5100 PCS

Units are packaged in a professional quality box that include all of the necessary installation hardware and easy to follow instructions.

www.starburstmounts.com

